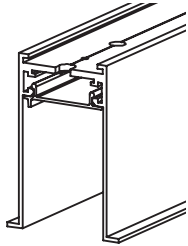


INSTALLATION INSTRUCTION

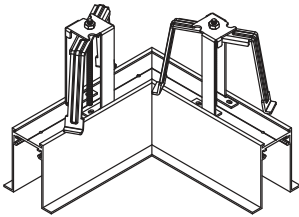
1. The fixture is for LED, NON.Replaceable LED.
2. Before installation, make sure that the power supply is off.
3. Follow the steps as down below for installation.
4. After finishing every step, tighten the screws, have the fixture fixed, then connect the power supply.
5. It is recommended that these products are installed by a qualified electrician.



Recessed Track

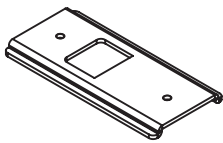
Product performance

number	L
SDF -01	1500mm
SDF -02	2100mm
SDF -03	2500mm

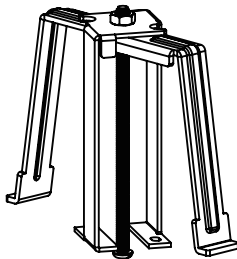


Article number: SDF-05
Type: Vertical corner for recess type

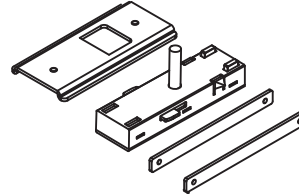
Colours
 Black
 White



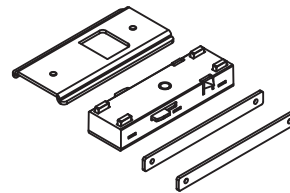
Models: SDC-06
Type: Reinforced Plate



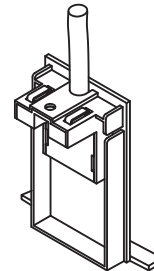
Models: SDC-06
Type: Reinforced Plate



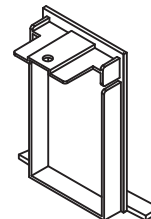
Article number : SDC-02B
Type : Power joint
Length : 200cm



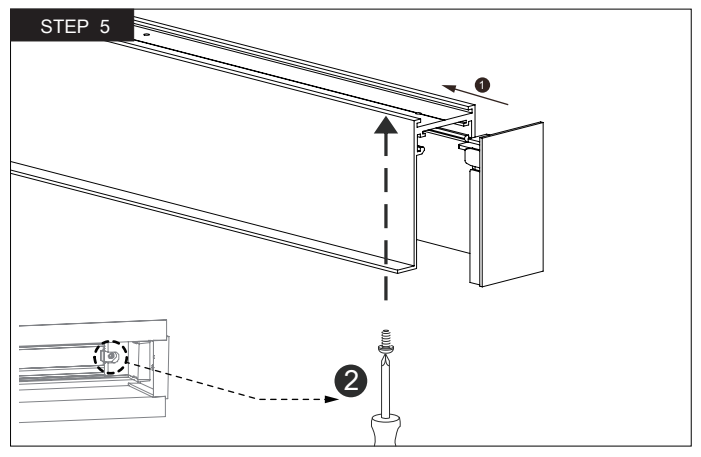
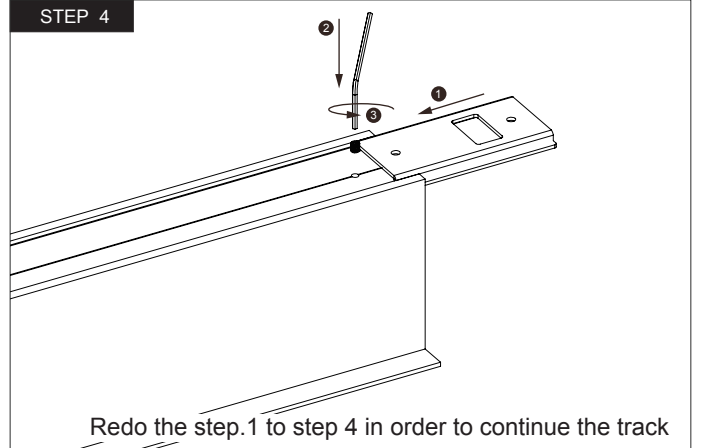
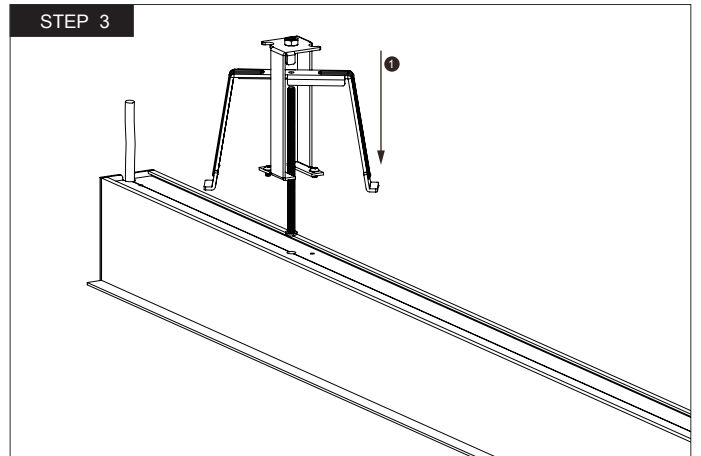
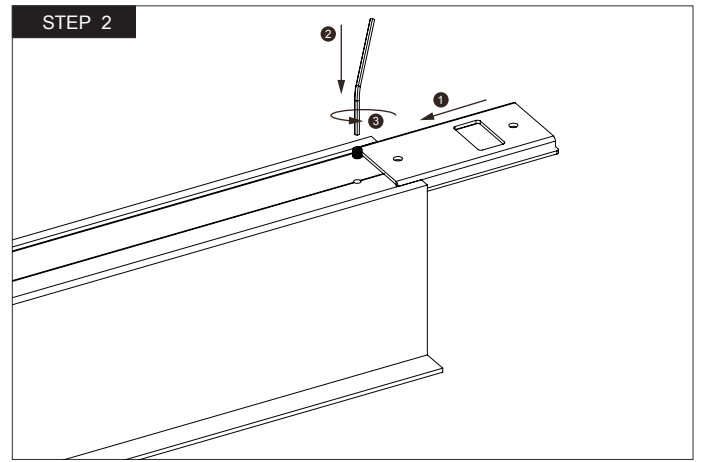
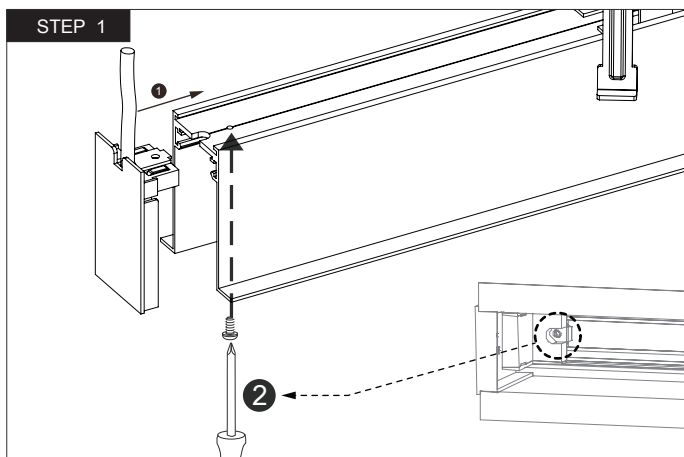
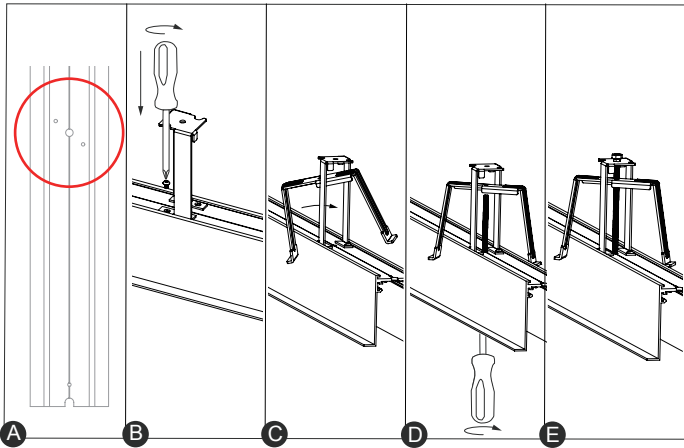
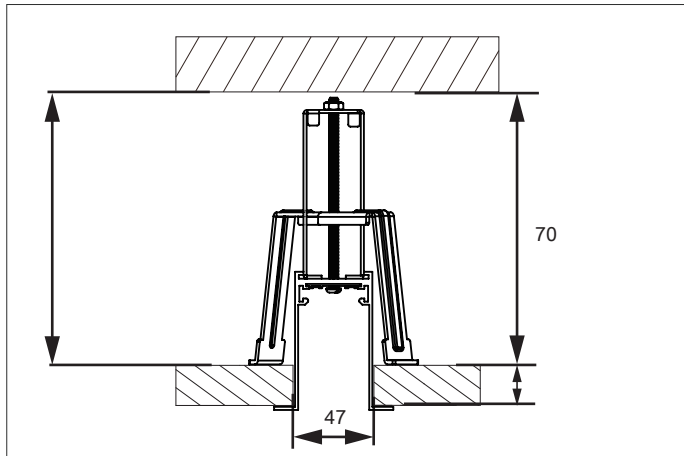
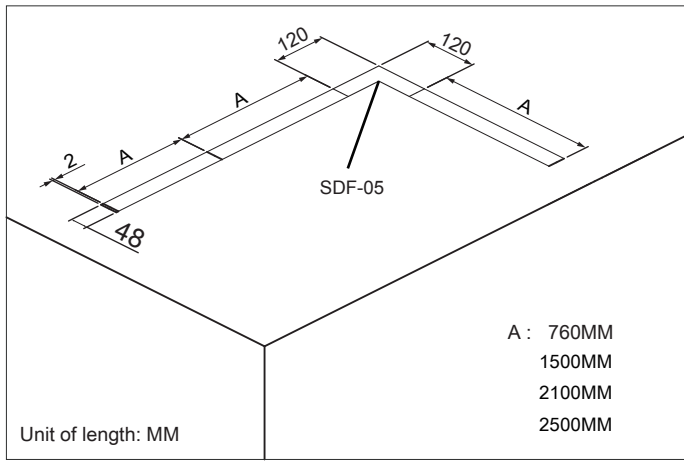
Article number : SDC-01B
Type : Circuit joint

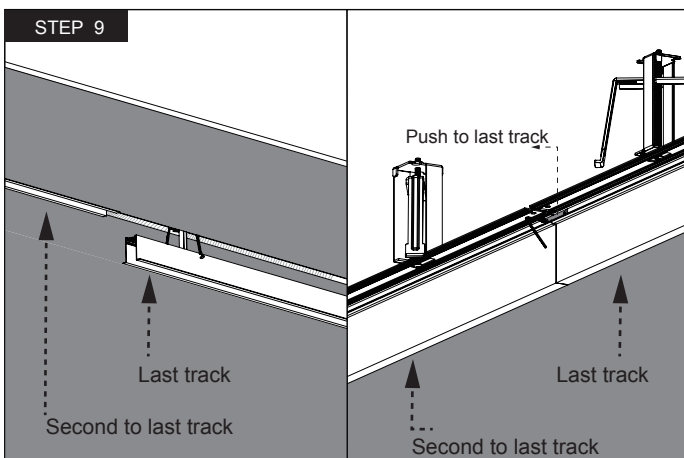
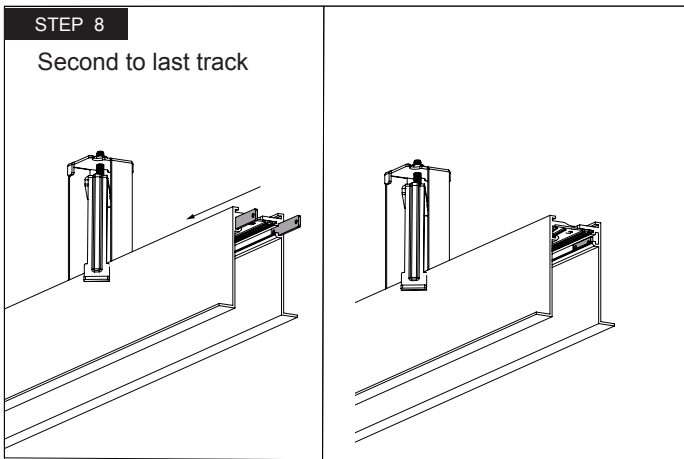
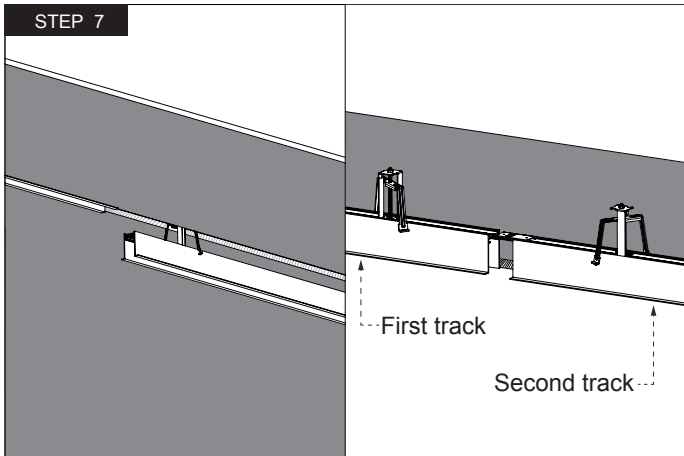
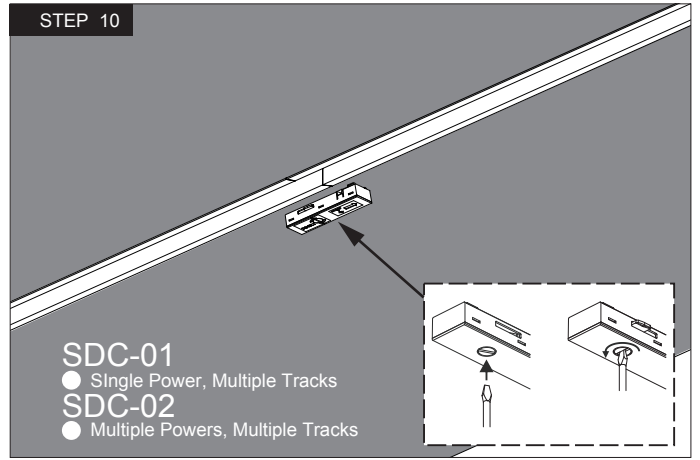
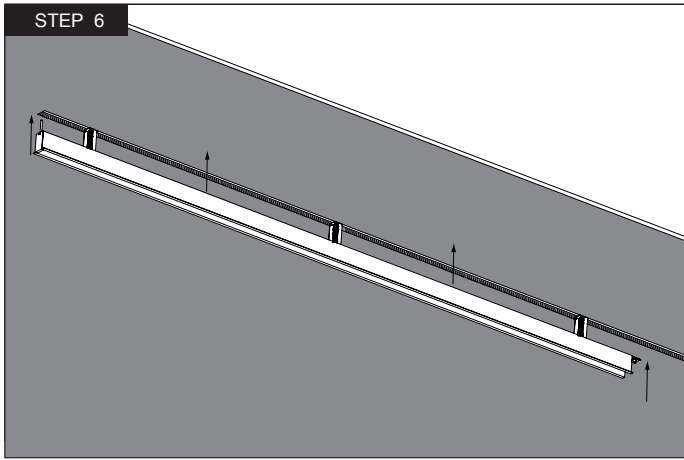


Article number: SDC-03A
Type: Power End Cap
Wire Length: 200cm



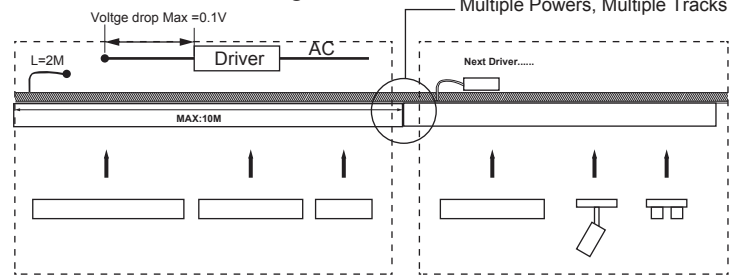
Article number: SDC-04A
Type: End Cap





Application Illustration

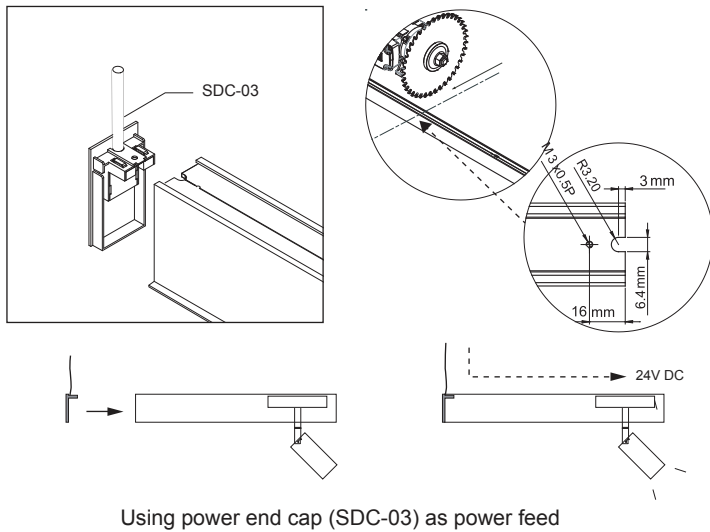
⚠ Calculate Cable Length



NOTE:

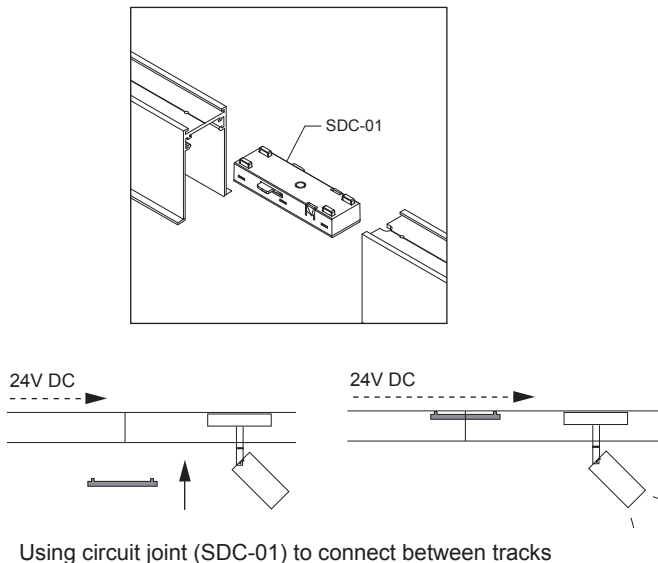
1. Max wattage linkable per loop for 24VDC is 150W.
2. Max length of track linkable per loop is 10M, and the max cable length between driver and track is 2M.
3. Dimming modules are compatible to PWM dimming driver only.
4. To use drivers not on recommended list, it require compatibility test before installation.
5. Tracks allows continuous linkable without limitation, also can divide into sections to light up individual area, making lighting application easy as 123.
6. Minimum voltage per loop is 22VDC (measure at the end of the loop), under 22VDC per loop might cause abnormal.
7. Calculating max wattage connection, save 20% buffer for linear modules, and 25% buffer for other modules.
8. Use driver not in the recommended list might cause module flickering, unstable dimming and/or noise, even causing module failure.
9. When multiple drivers are use in the connection, make sure the connector without circuit is used to divide the loop.
10. When installation tracks (pipes), make sure measuring the voltage from SDC-02 & SDC-03/SDC-03A with the driver connected first, without modules, to see if the voltage is 24VDC, then measure the track & SDC-02 & SDC-03/SDC-03A to see if the voltage drop is $\leq 0.1V$, if the voltage drop is over 0.1V, make sure the connector is secured properly, warpage is not allowed in the connection, also check the cleanliness of the copper connector, copper connector can be cleaned using alcohol.

1 Single Power, Single Track



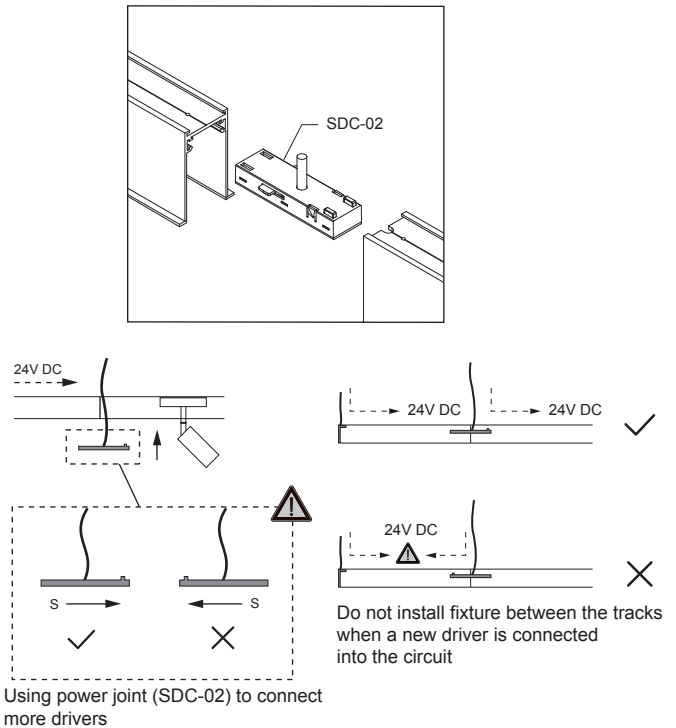
Using power end cap (SDC-03) as power feed

2 Single Power, Multiple Tracks



Using circuit joint (SDC-01) to connect between tracks

3 Multiple Powers, Multiple Tracks



Using power joint (SDC-02) to connect more drivers