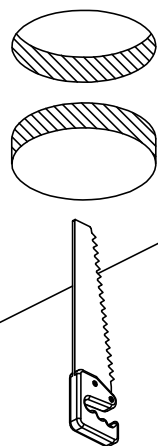
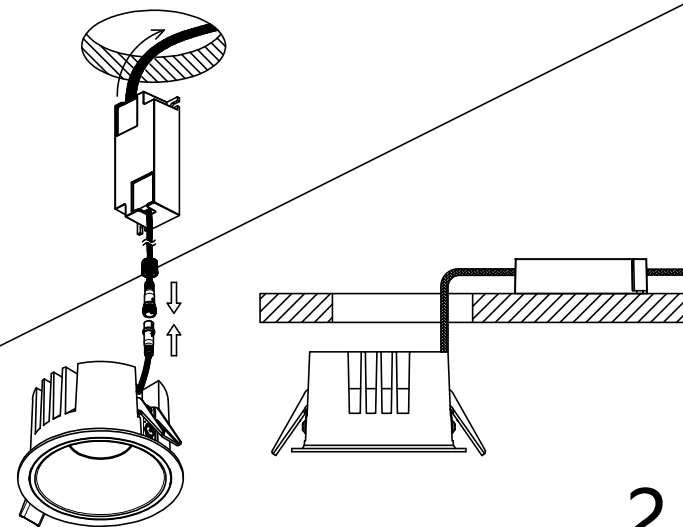


1. Cut the hole
(Size according
the label)



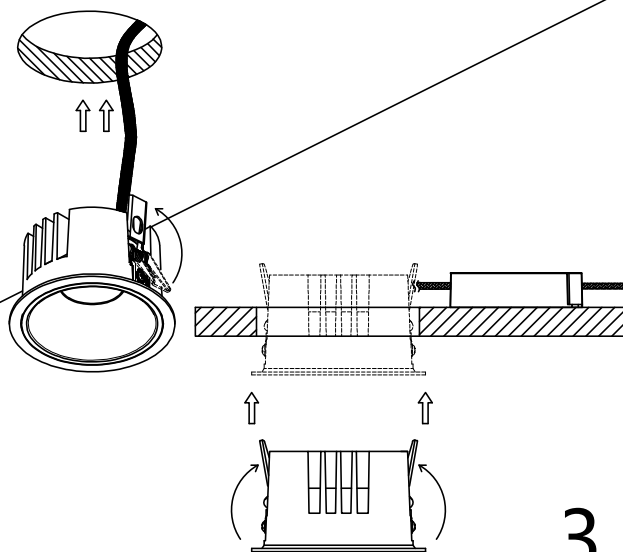
1

2. connect mains
supply



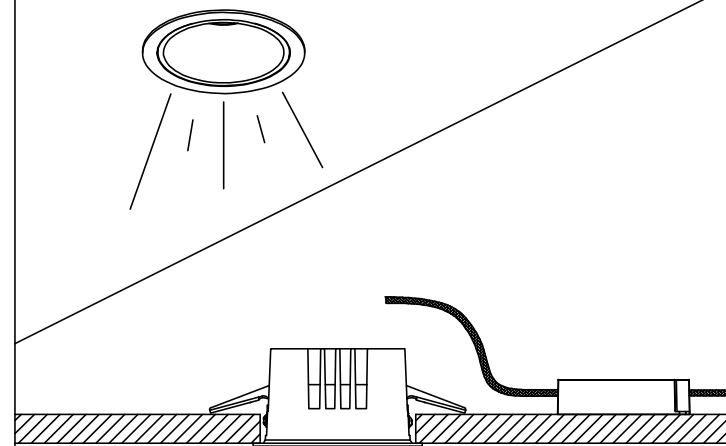
2

3. Turn up the
two side springs
and push into
the mounting
hole.



3

4. install finish



4