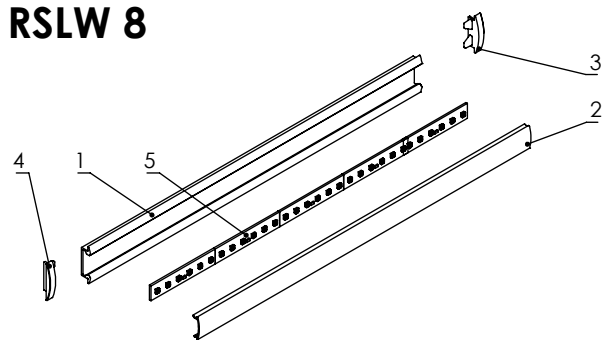
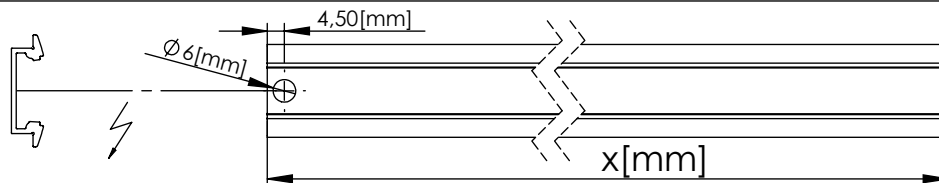


RSLW 8

Nr	Code	Comments	Quantity
1	AL-RSLW8	1, 2[m]	1
2	AB-SLW-K/M/50M	diffuser 1 or 2 or 3[m]	1
3	EC-RSLW8-H3	aluminium end cap w/out cable hole	1
4	EC-RSLW8-H4	aluminium end cap with cable hole (or made cable hole pos.1)	1
5	12x300 PCB with 3528 LEDs	strips of LED	



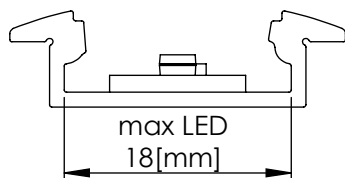
1



or use end cap with cable hole

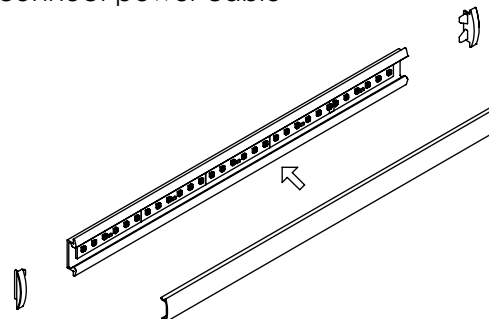
2

Use thermally conductive tape



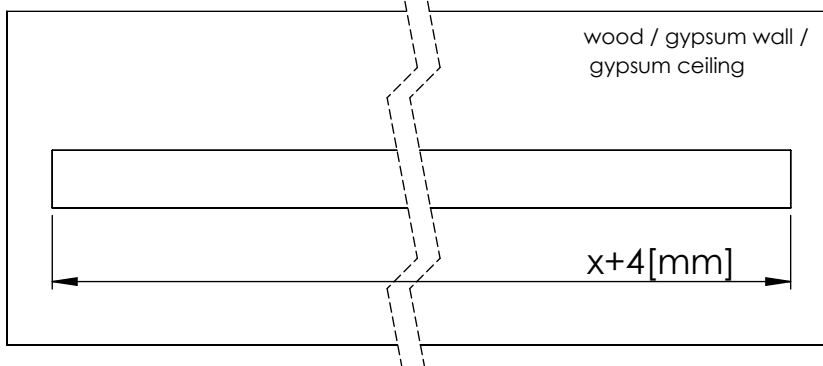
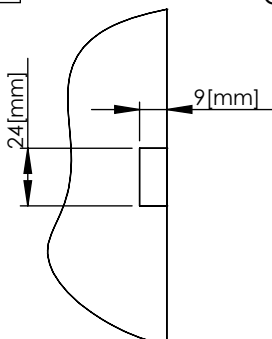
3

connect power cable



4

cutting hole



5

