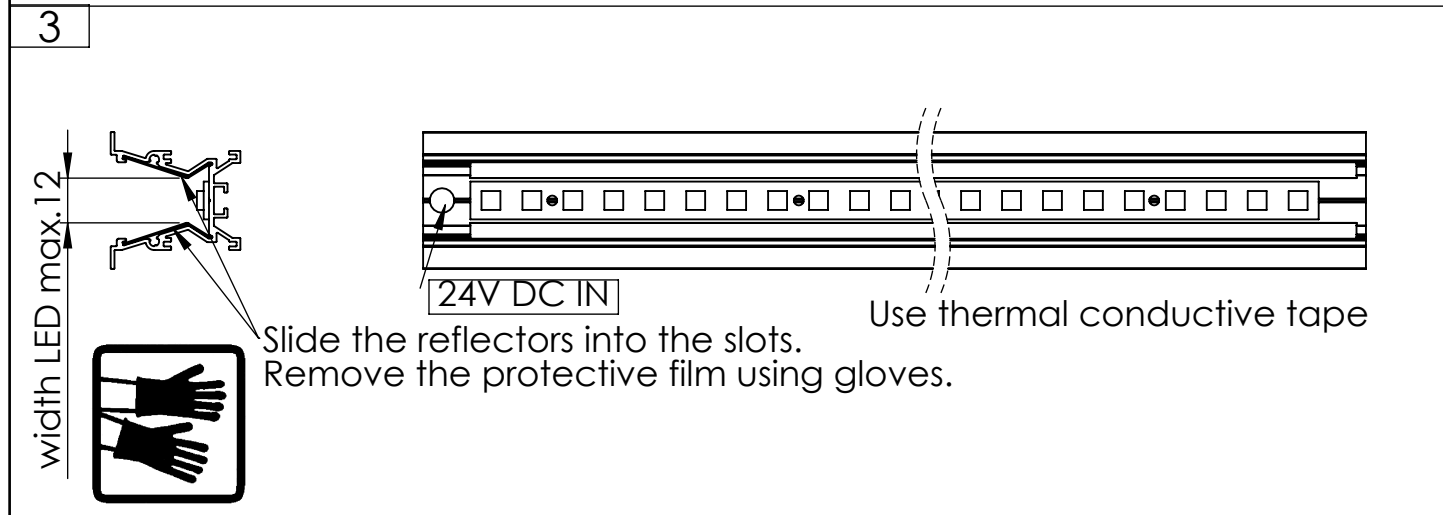
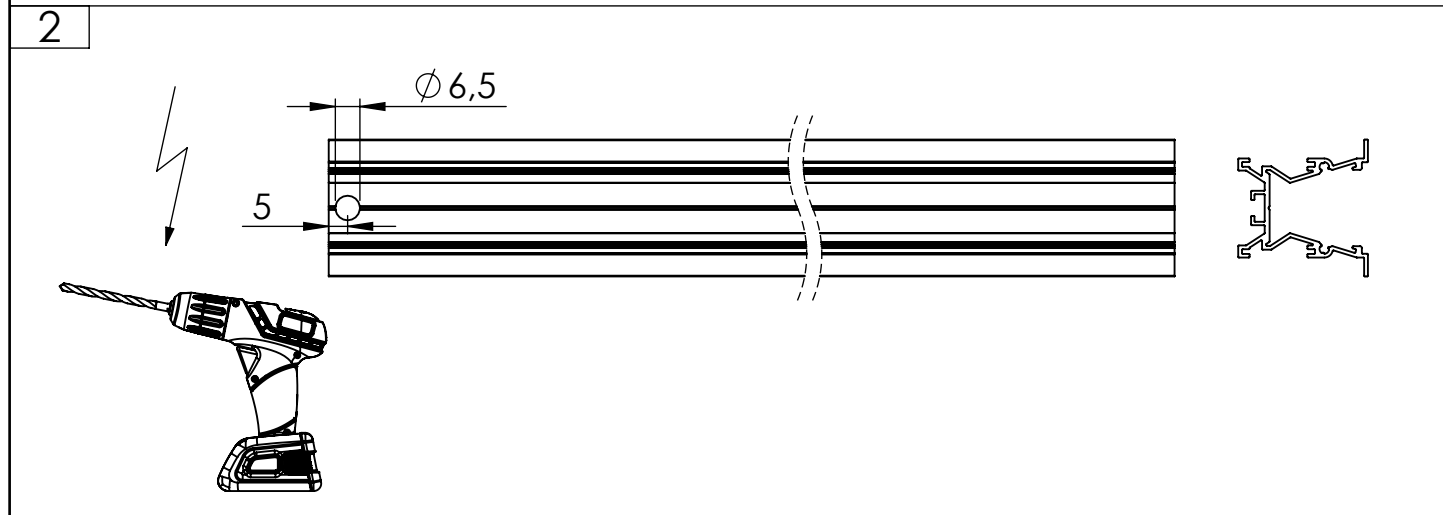
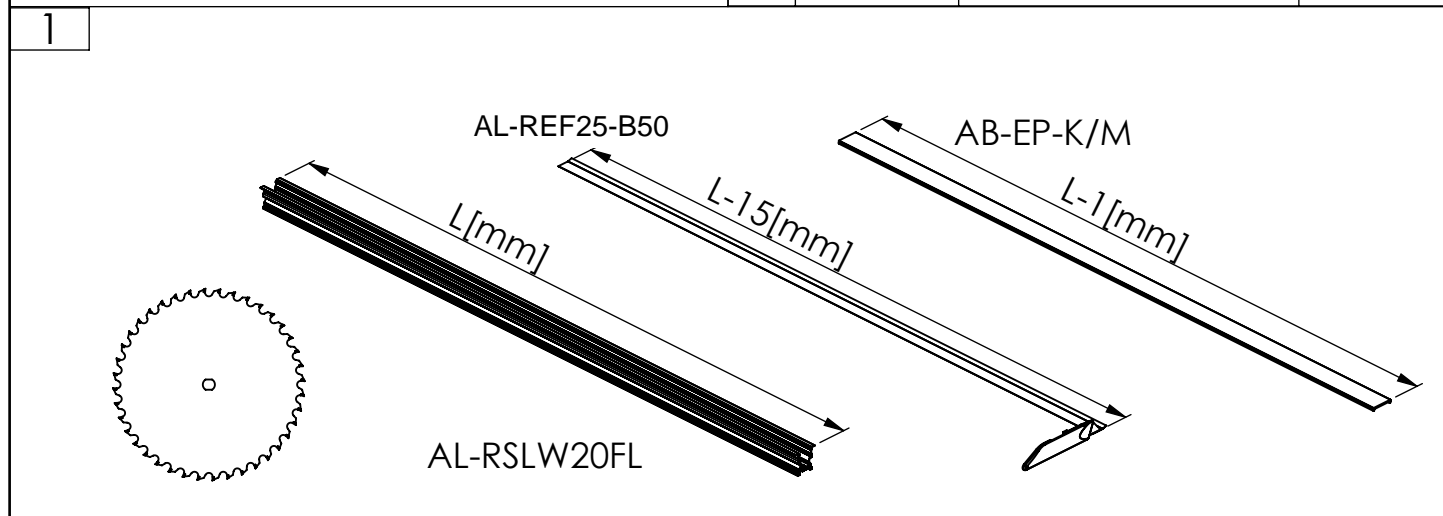
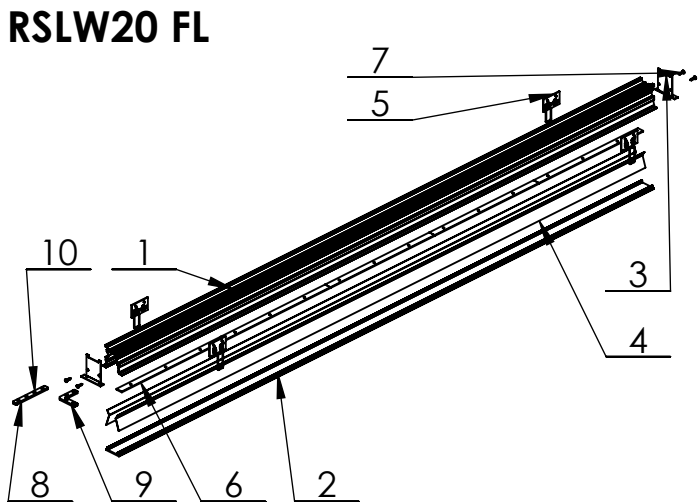
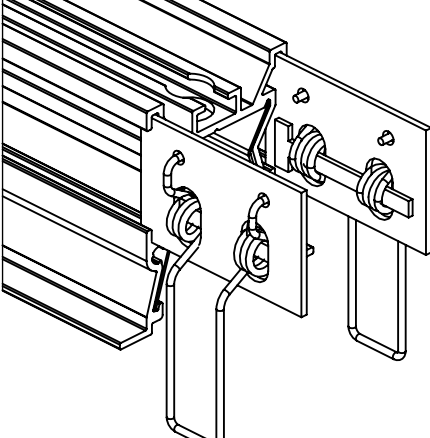
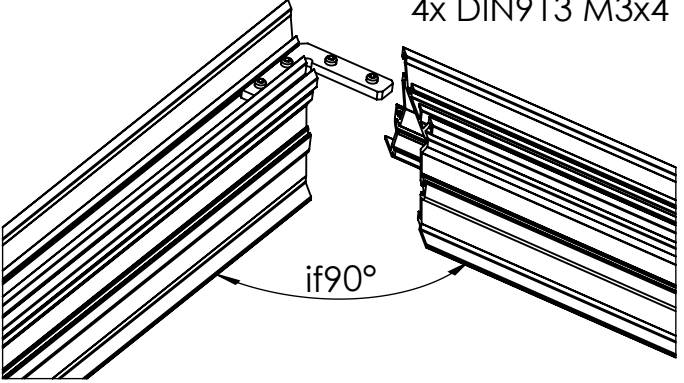
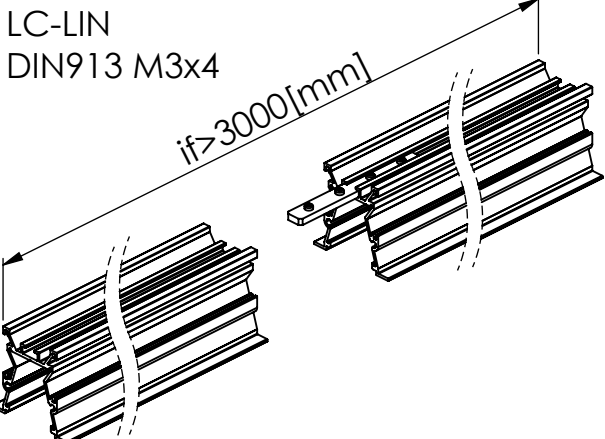
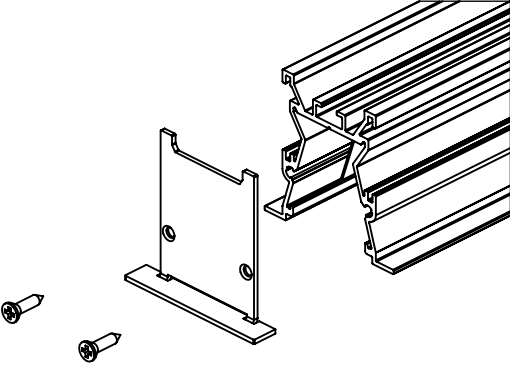


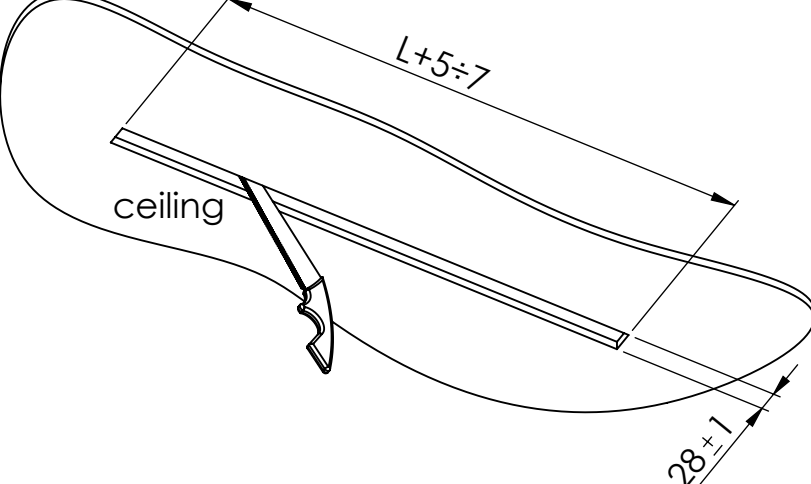
Item	Code	Comments	Quantity
1	AL-RSLW20FL	aluminium profile 2, 3 or 6[m]	1
2	AB-EP-K/M	diffuser 2[m]	1
3	EC-RSLW20FL	end cap	2 per luminaire
4	AL-REF25-B50	Light reflector Vega95 for RSLW20FL, length 1,98 or 2,98[m]	2 per profile
5	MC-SPR-A	spring set	~4 per 1 [m]
6	10-5060	24V DC PCB with 5060 LEDs	5 per 1 [m]
7	DIN 7982 ST2,2x9,5		2 per end cap
8	LC-LIN	linear connector	1 per join
9	90LC-HOR	90° connector	1 per join
10	DIN913 M3x4		4 per LC-LIN / 90LC-HOR



<p>4</p> 	<p>Suggested number of spring sets: $L < 1\text{m}$ - 4 sets $1\text{m} < L < 2\text{m}$ - $6 \div 8$ sets $2\text{m} < L < 3\text{m}$ - $8 \div 12$ sets $3\text{m} < L < 4\text{m}$ - $10 \div 16$ sets $4\text{m} < L < 5\text{m}$ - $12 \div 20$ sets etc.</p>	<p>5</p>  <p style="text-align: right;">1x 90LC-HOR 4x DIN913 M3x4</p> <p style="text-align: center;">$\text{if } 90^\circ$</p>
--	--	---

<p>6</p> <p>1x LC-LIN 4x DIN913 M3x4</p>  <p style="text-align: center;">$\text{if } > 3000 [\text{mm}]$</p>	<p>7</p> 
---	---

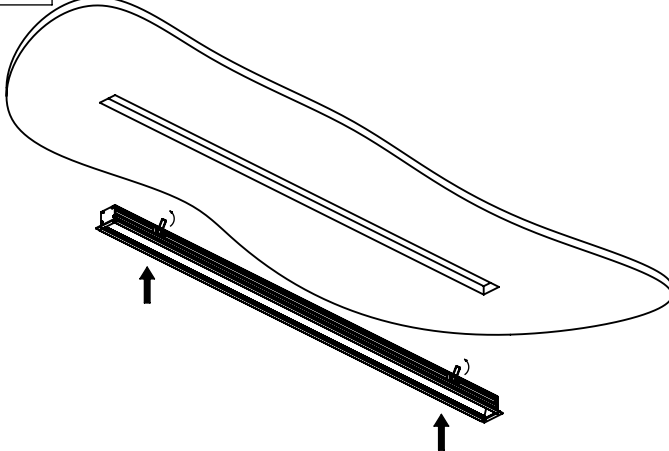
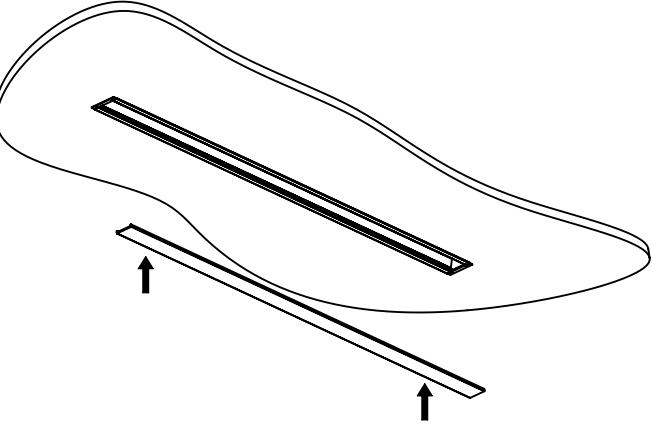
8



$L+5 \div 7$

ceiling

28 ± 1

<p>9</p> 	<p>10</p> 
---	---