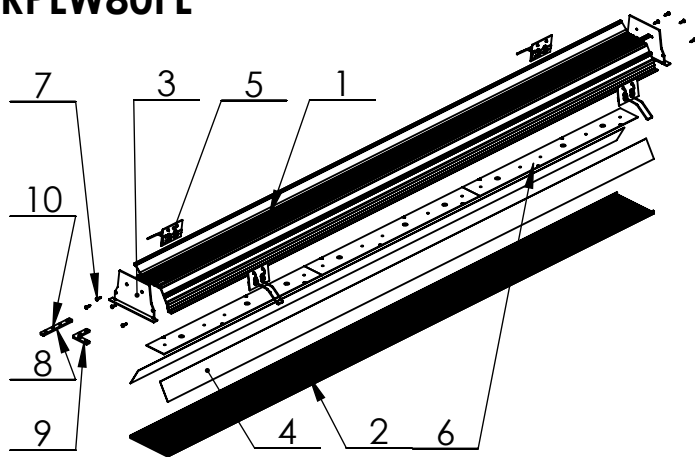
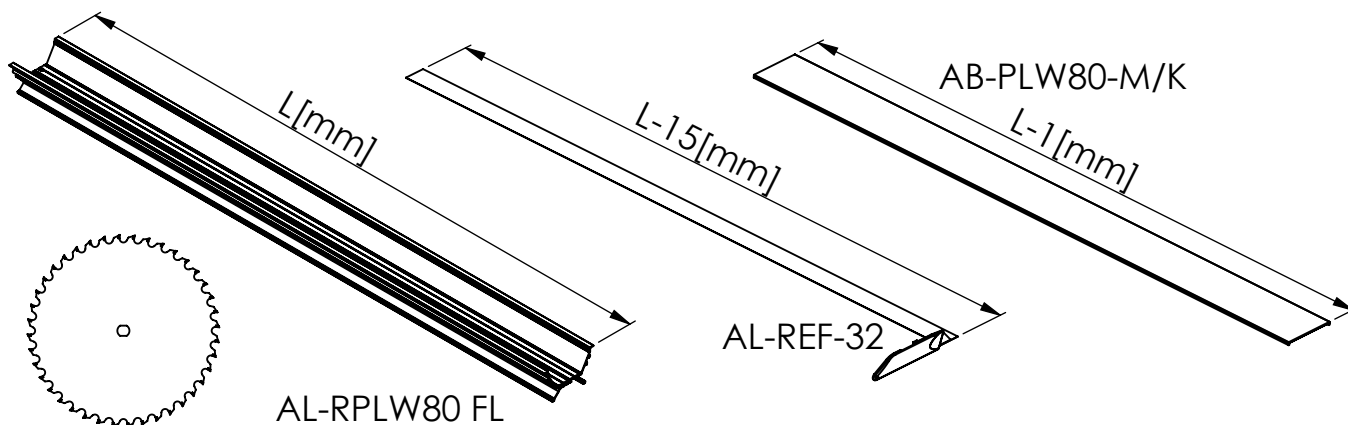


# RPLW80FL

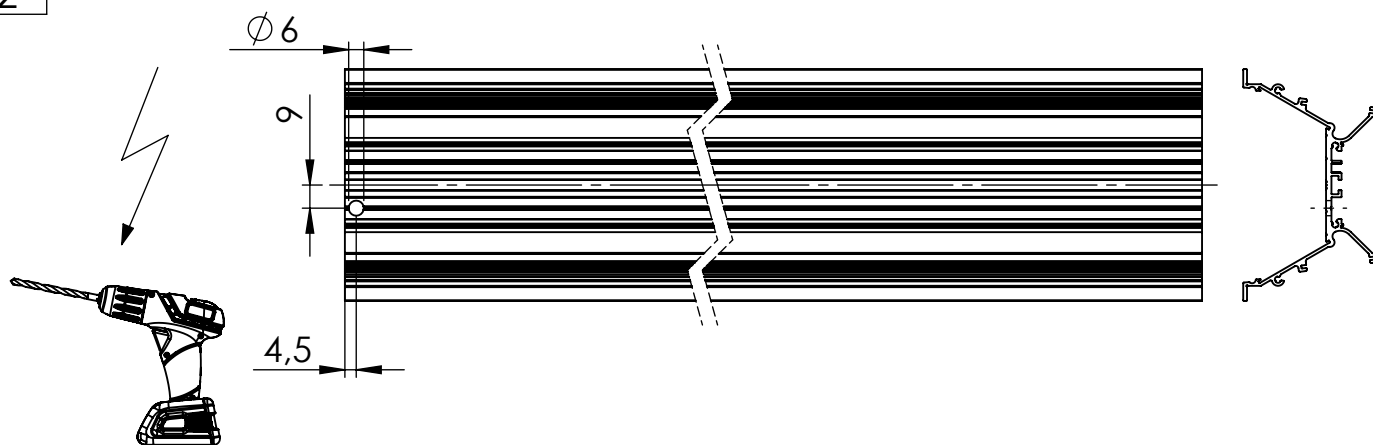


Item	Code	Comments	Quantity
1	AL-RPLW80 FL	aluminium profile 2, 3 or 6[m]	1
2	AB-PLW80-M/K	diffuser 2, 3 or 6[m]	1
3	EC-RPLW80 FL	end cap	2 per luminaire
4	AL-REF-32	Light reflector 32mm Vega95 for RPLW80 FL 1,98 or 2,98[m]	2 per profile
5	MC-SPR-B	spring set	~4 per 1 [m]
6	36-DURIS	36x325 PCB with OSRAM DURIS E5	
7	DIN 7982 ST2,2x9,5		4 per EC-RPLW80 FL
8	LC-LIN		1 per join
9	90LC-HOR		1 per join
10	DIN913 M3x4		4 per LC-LIN / 90LC-HOR

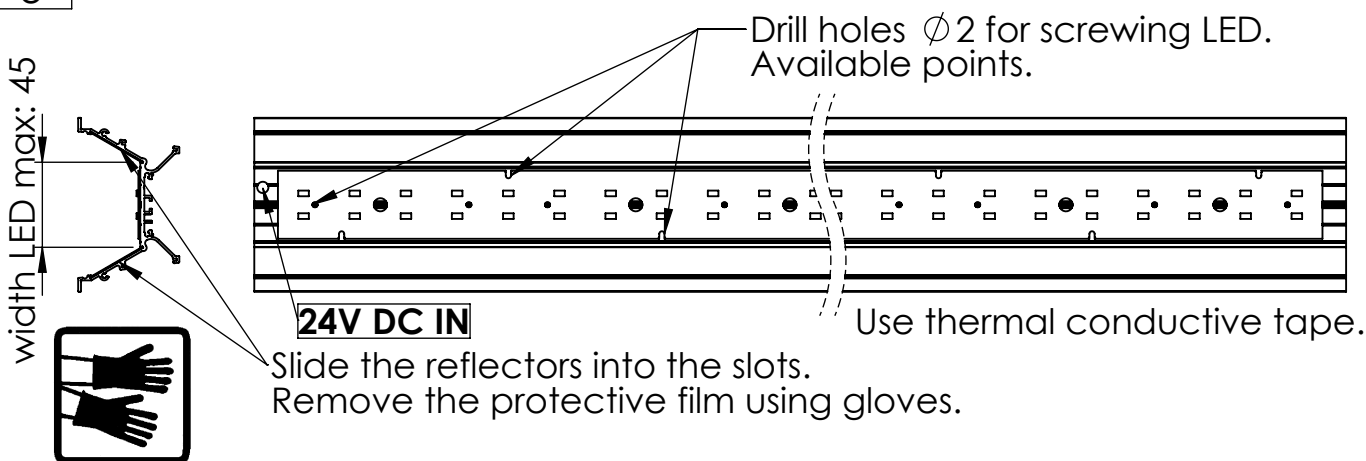
1

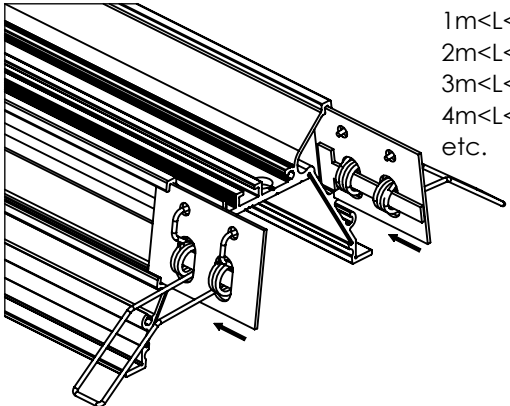
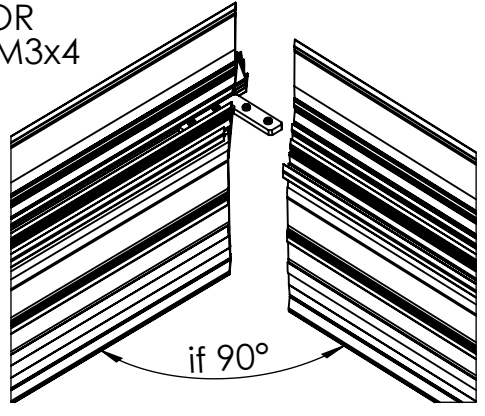
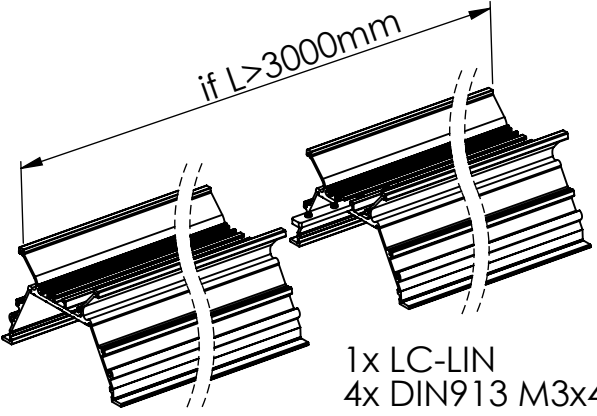
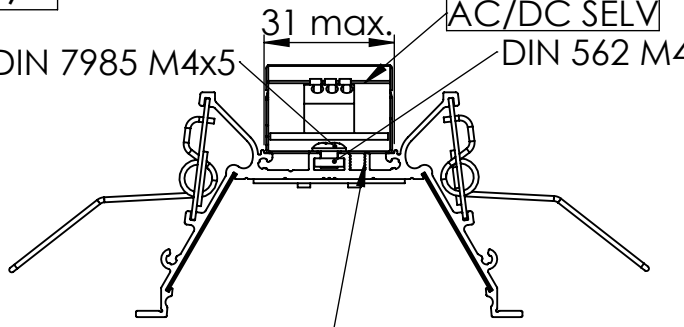
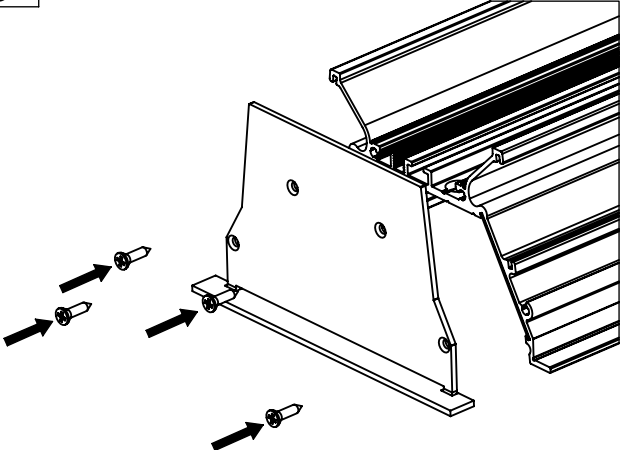
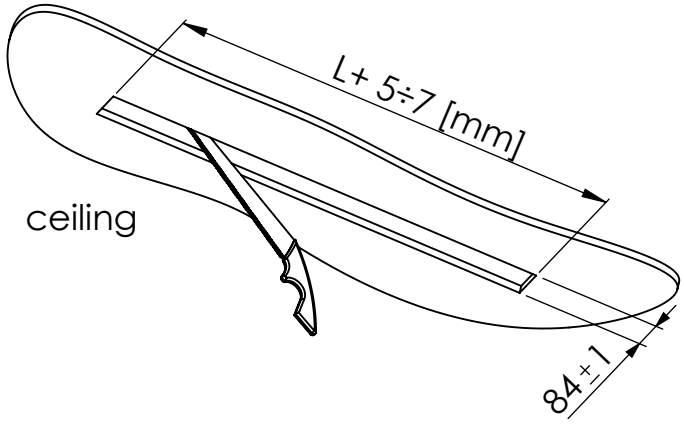
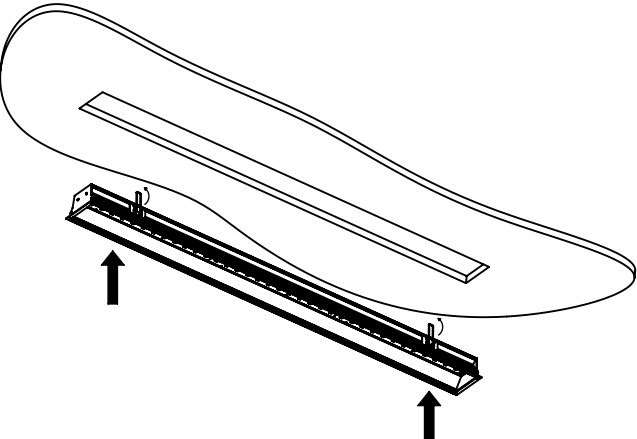


2



3



<p><b>4</b></p>  <p>Suggested number of spring sets:  <math>L &lt; 1\text{m}</math> - 4 sets  <math>1\text{m} &lt; L &lt; 2\text{m}</math> - <math>6 \div 8</math> sets  <math>2\text{m} &lt; L &lt; 3\text{m}</math> - <math>8 \div 12</math> sets  <math>3\text{m} &lt; L &lt; 4\text{m}</math> - <math>10 \div 16</math> sets  <math>4\text{m} &lt; L &lt; 5\text{m}</math> - <math>12 \div 20</math> sets          etc.</p>	<p><b>5</b></p>  <p>1x 90LC-HOR          4x DIN913 M3x4</p> <p>if 90°</p>
<p><b>6</b></p>  <p>if <math>L &gt; 3000\text{mm}</math></p> <p>1x LC-LIN          4x DIN913 M3x4</p>	<p><b>7</b></p>  <p>31 max.</p> <p>AC/DC SELV</p> <p>DIN 562 M4</p> <p>DIN 7985 M4x5</p> <p>M4 thread to screw PE cable to ground luminaire</p>
<p><b>8</b></p> 	<p><b>9</b></p>  <p><math>L + 5 \div 7</math> [mm]</p> <p>ceiling</p> <p><math>84 + 1</math></p>
<p><b>10</b></p> 	<p><b>11</b></p> 