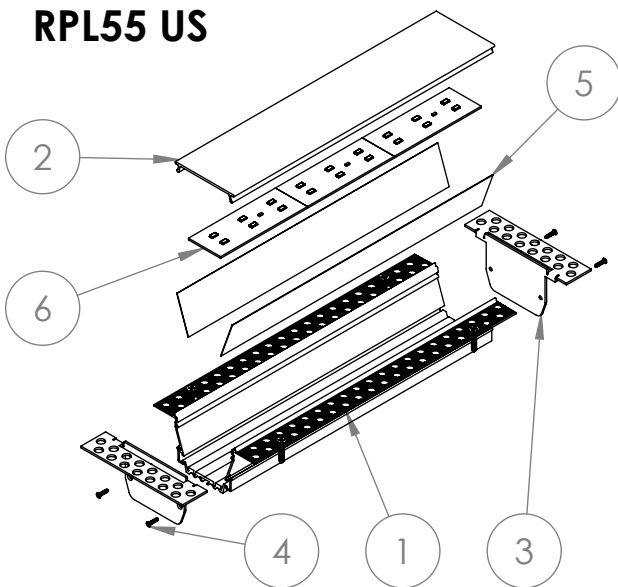


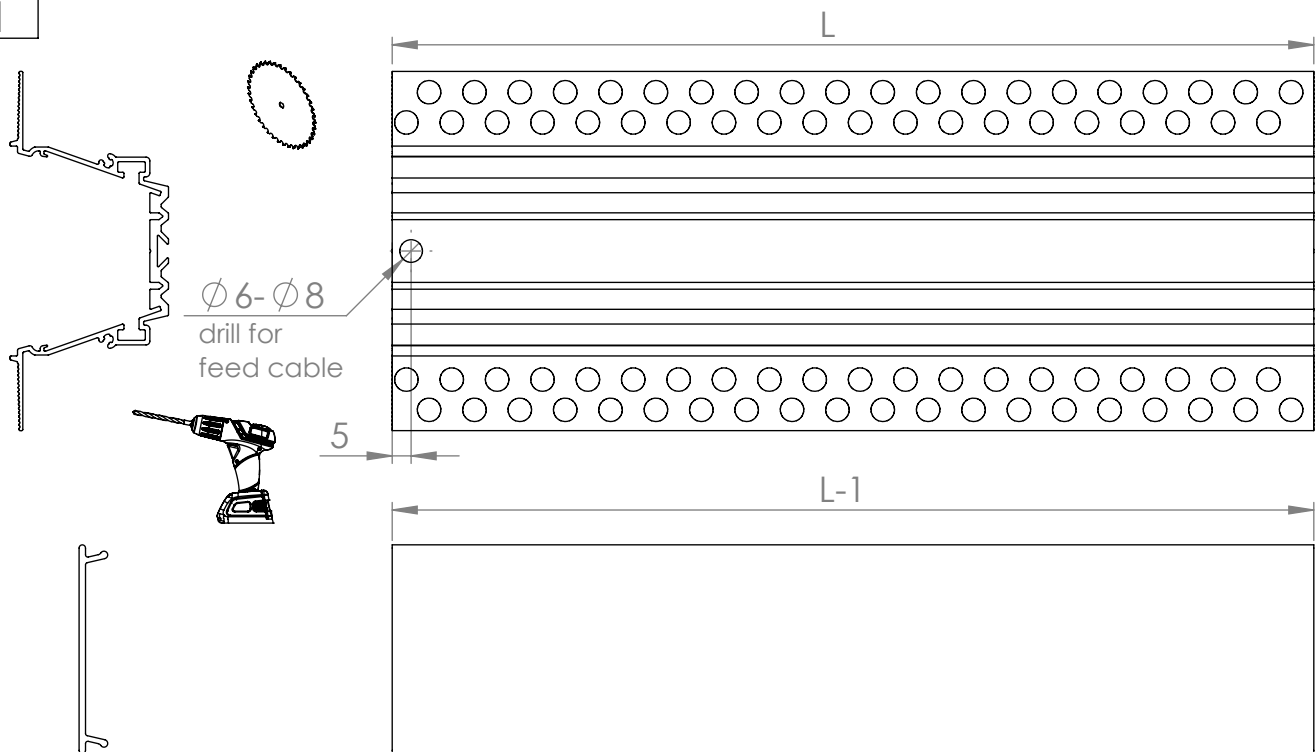
RPL55 US

List of luminaire components



Item	Code	Comments	Quantity
1	AL-RPL55 US	2,3 or 6.1 [m]	1
2	AB-PL55-M/K	2,3 or 6.1 [m]	1
3	EC-RPL55 US	end cap	2 per luminaire
4	DIN 7982 ST2.2x9.5	in set	2 per end cap
5	AL-REF32	reflector 1.98 or 2.98[m]	2
6	30-DURIS	PCB 24VDC Osram Duris E5	3 per 1 [m]

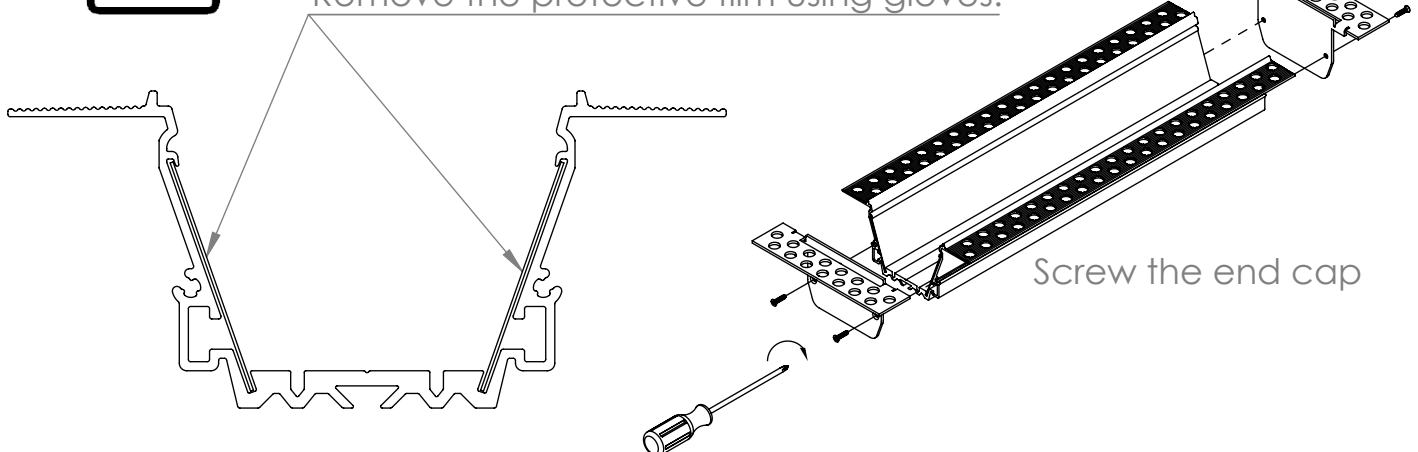
1



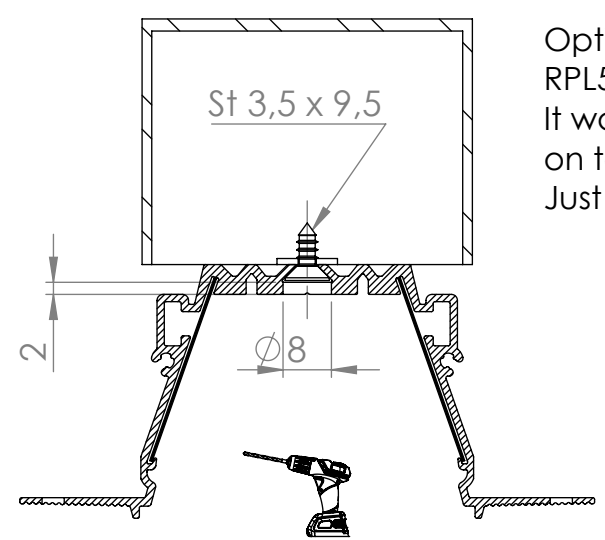
2



Slide the reflectors into the slots.
Remove the protective film using gloves.



3

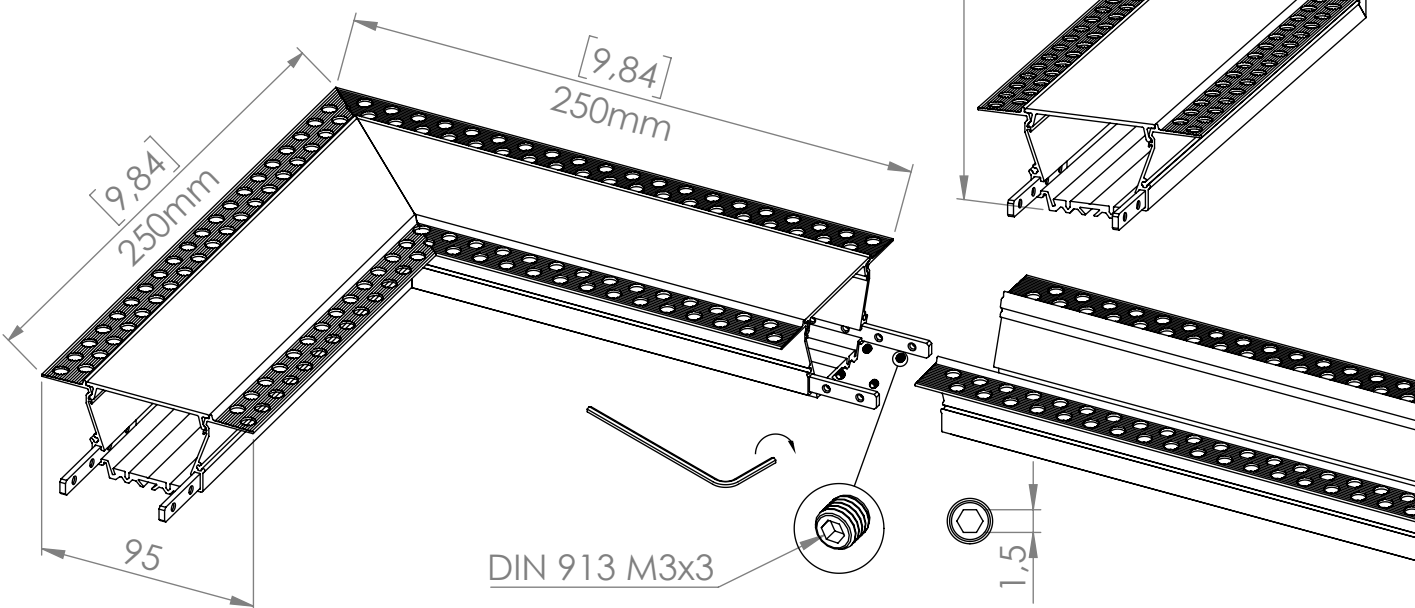


Option:
RPL55 US are suitable for **junction box** installation.
It was achieved by placing mounting rail on top of the profile.
Just drill the $\varnothing 8$ hole and fix the box with screw.

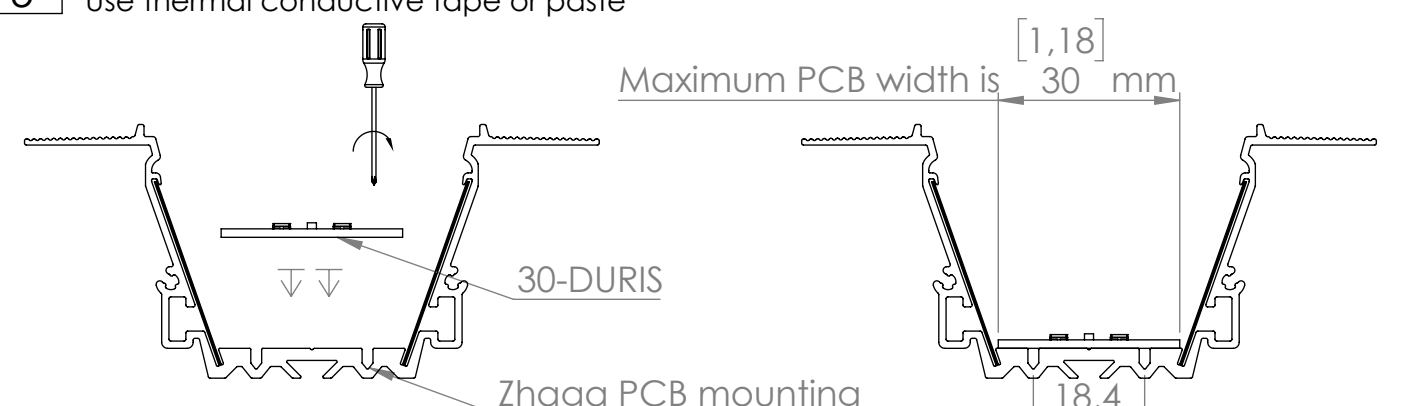
4

Trying to simplify the angle connections, we introduce premade angle modules. Available in both **horizontal** and **vertical** configurations, they allow to overcome any issues regarding **45° angle connections**.

[x] - [dimension in inches]



5 Use thermal conductive tape or paste

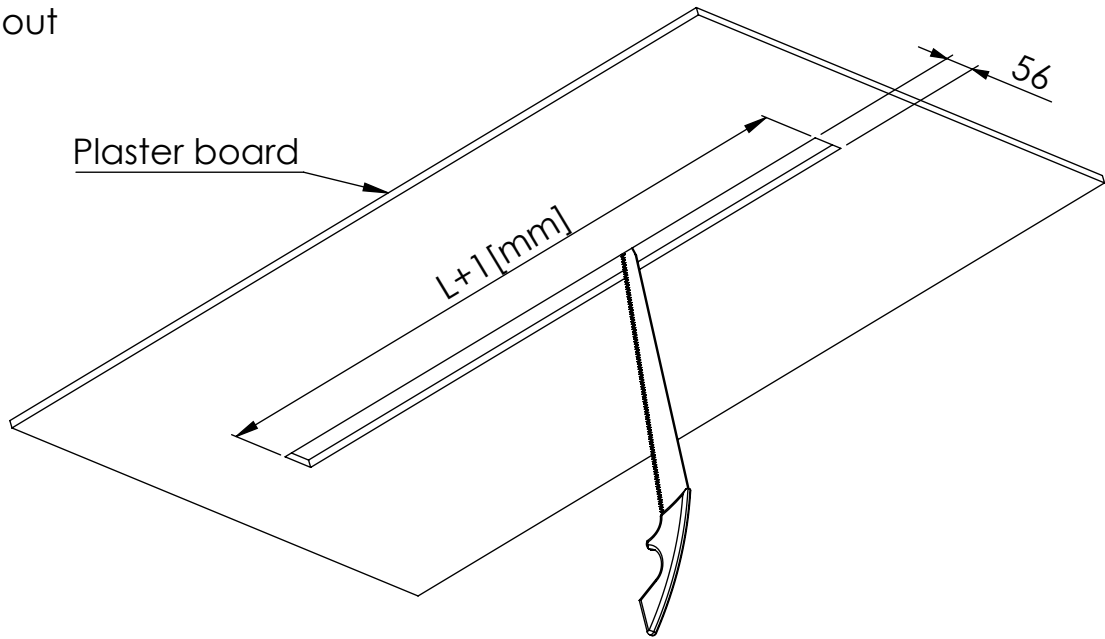


Maximum PCB width is 30 mm

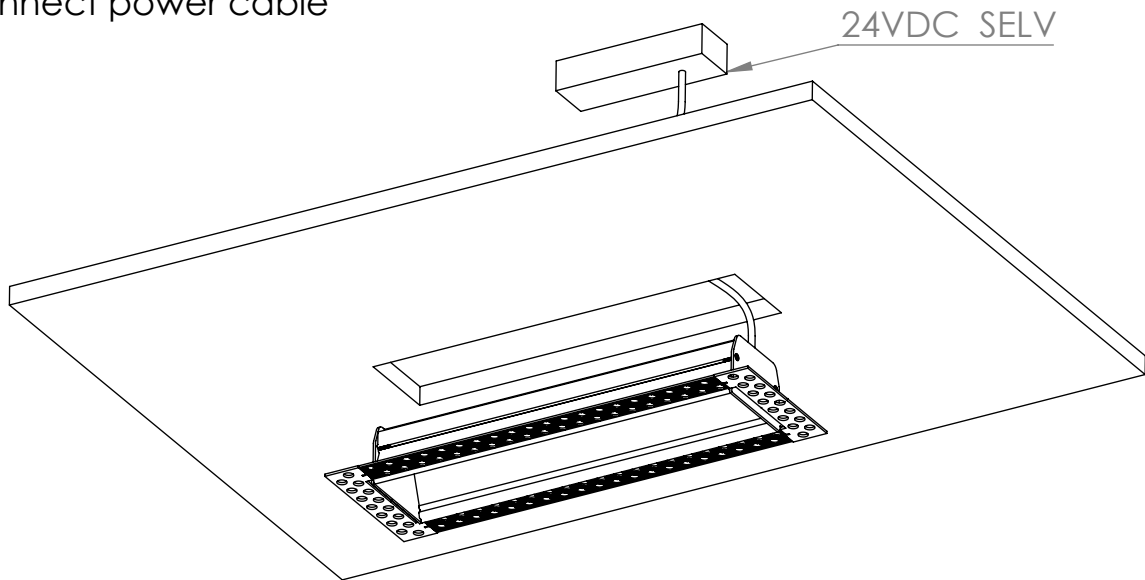
30-DURIS

Zhaga PCB mounting

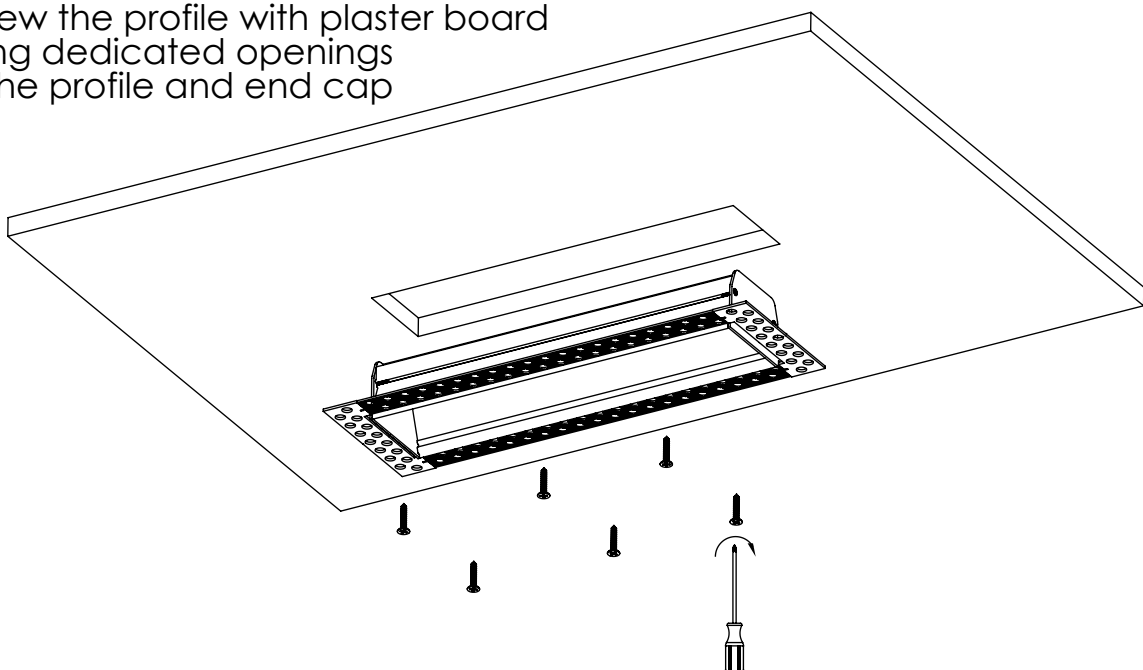
6 Cut out



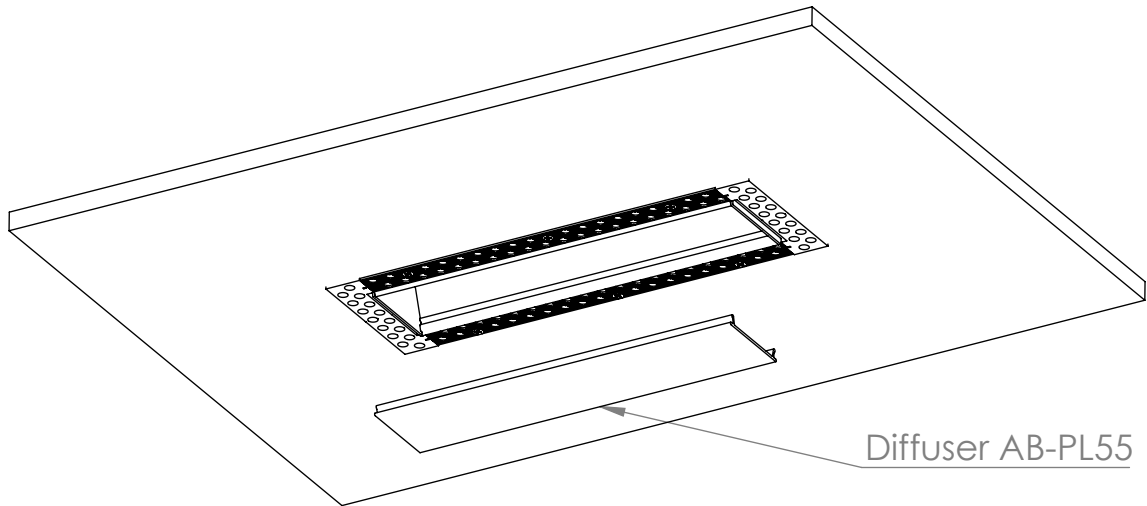
7 Connect power cable



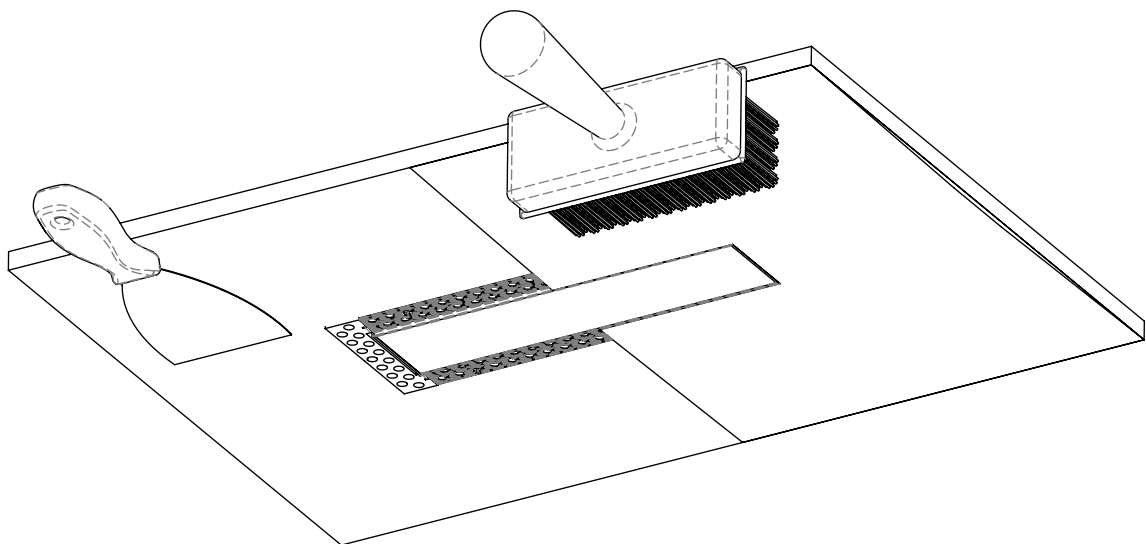
8 Screw the profile with plaster board using dedicated openings in the profile and end cap



9 Click in the diffuser



10 Cover the LED, reflectors and diffuser with protective tape before plastering



11 Remove the protective tape.
Clean the surface with alcohol to remove any dust or debris

