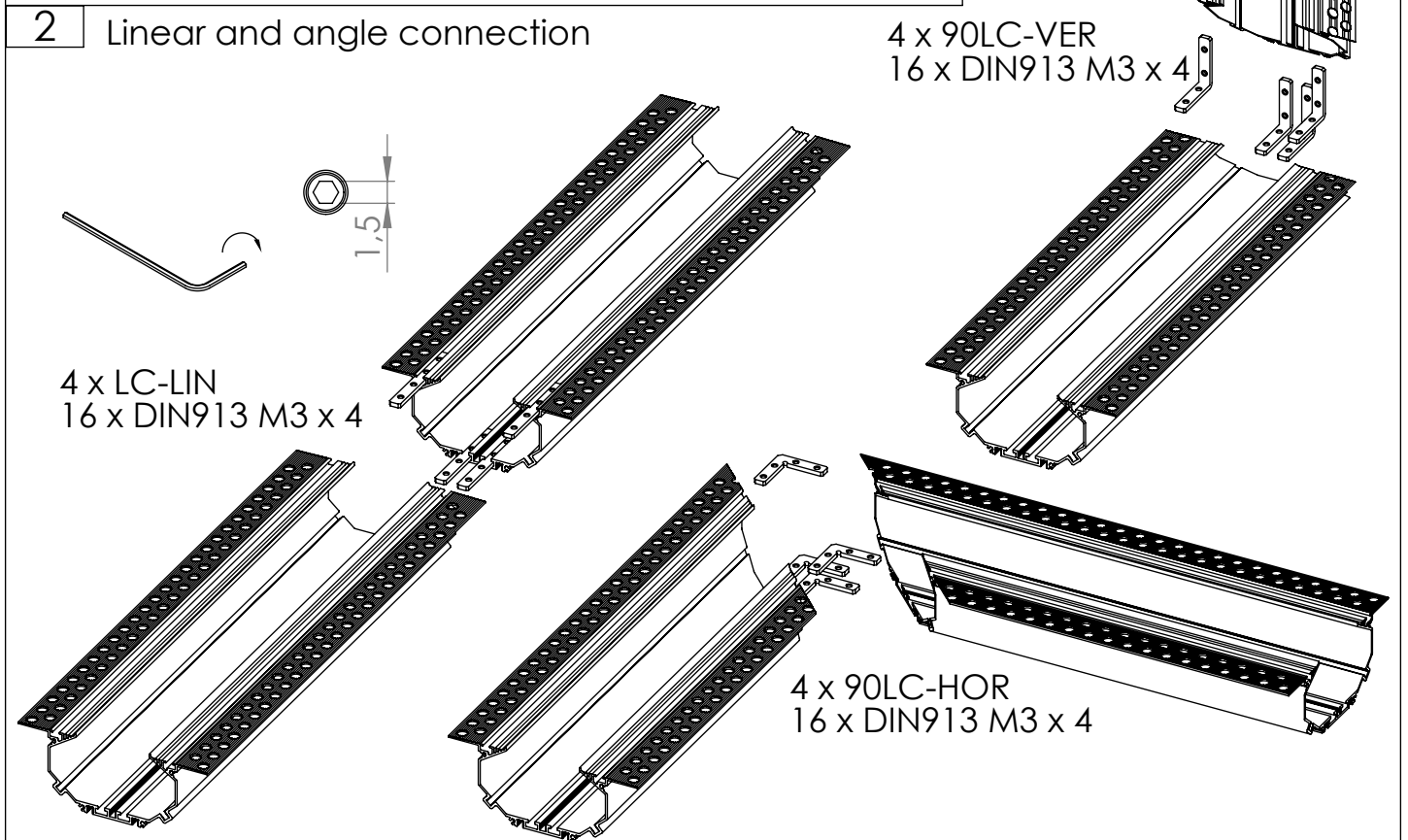
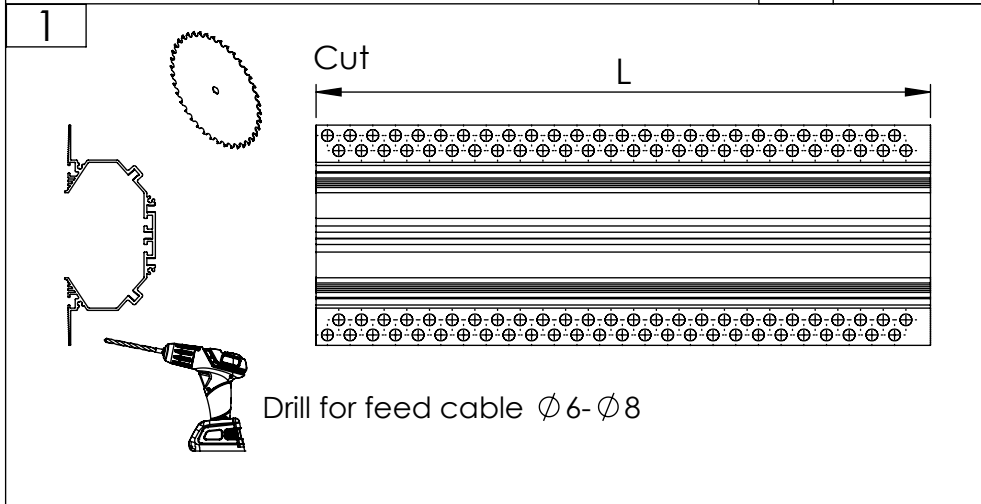
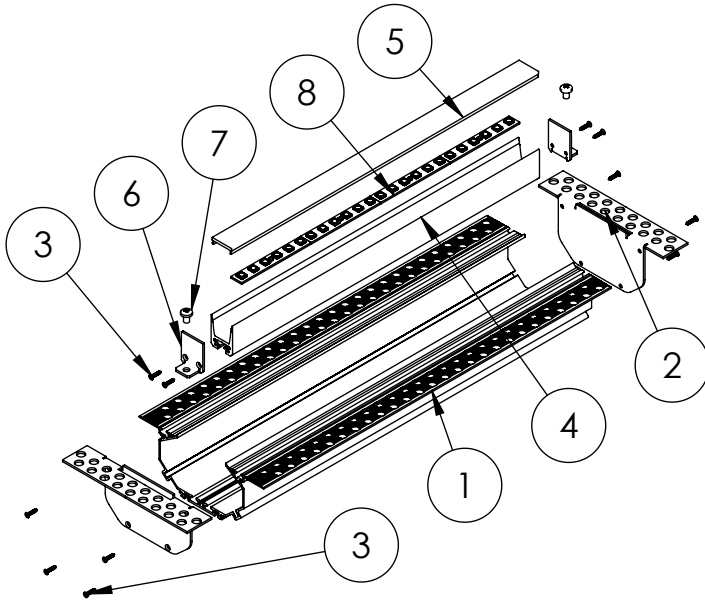


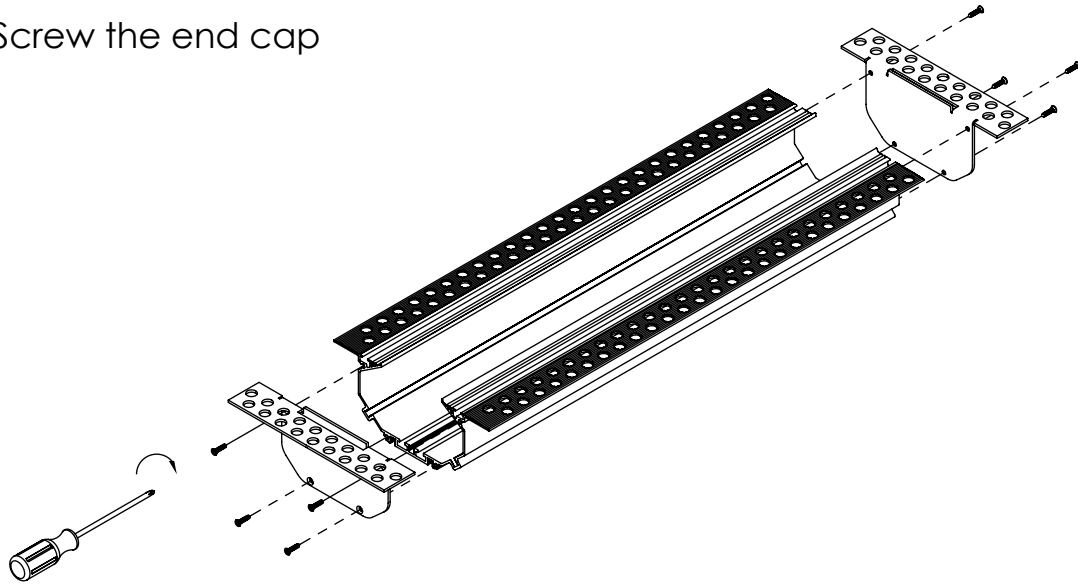
RPL45 US + SS20

List of luminaire components

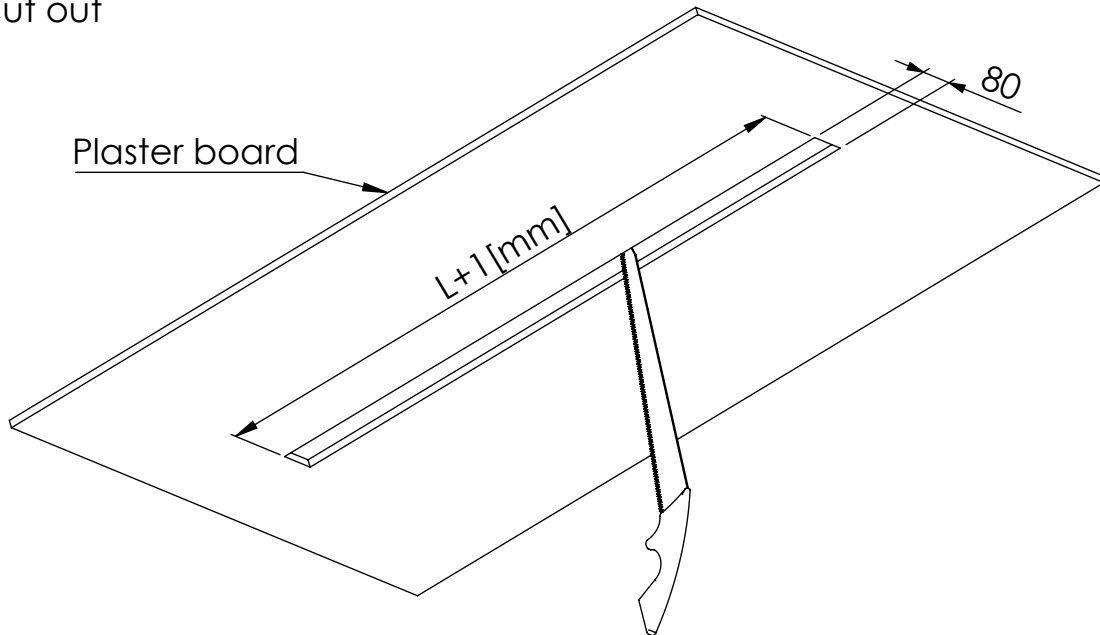
Item	Code	Comments	Ilość	Quantity
1	AL-RPL45 US	2,3 or 6.1 [m]	1	1
2	EC-RPL45 US	end cap	2	2 per luminaire
3	DIN 7982 ST2.2x9.5	in set	12	2 per end cap
4	AL-INS-SS20B	2, 3 or 6.1 [m]	1	1
5	AB-SS20B	2, 3 or 6.1 [m]	1	1
6	EC-INS-SS20B	end cap	2	2 per luminaire
7	DIN 7985 M4 x 6	in set	2	2 per luminaire
8	10-5060	PCB 24VDC LED 5060	4	5 per 1 [m]



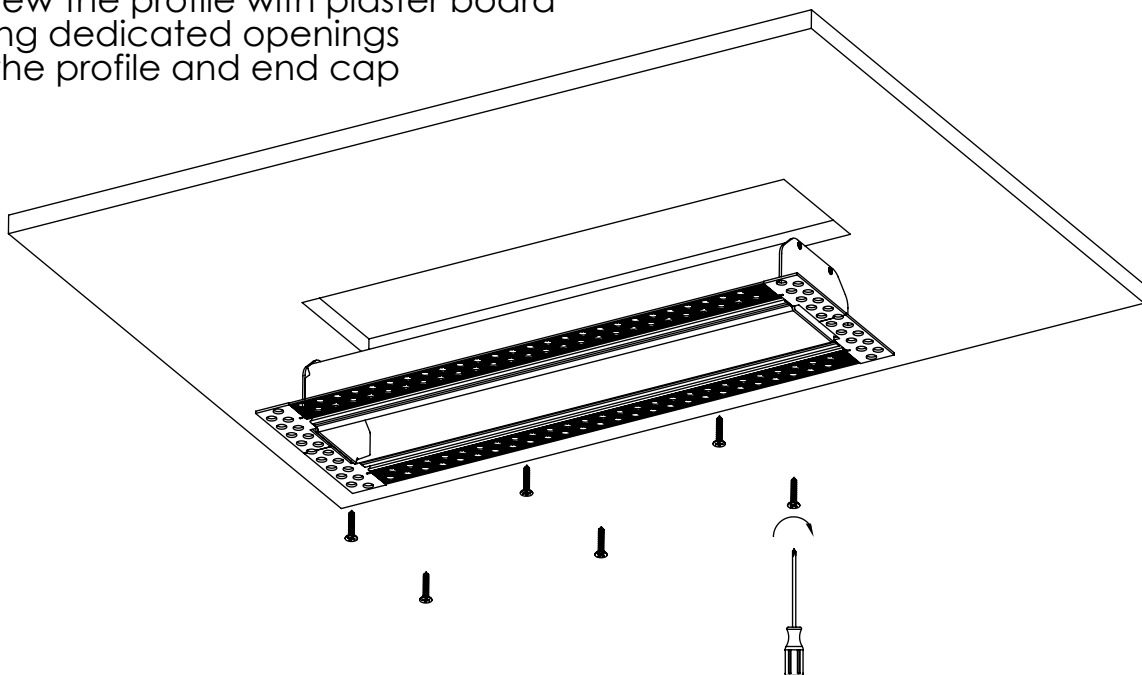
3 Screw the end cap

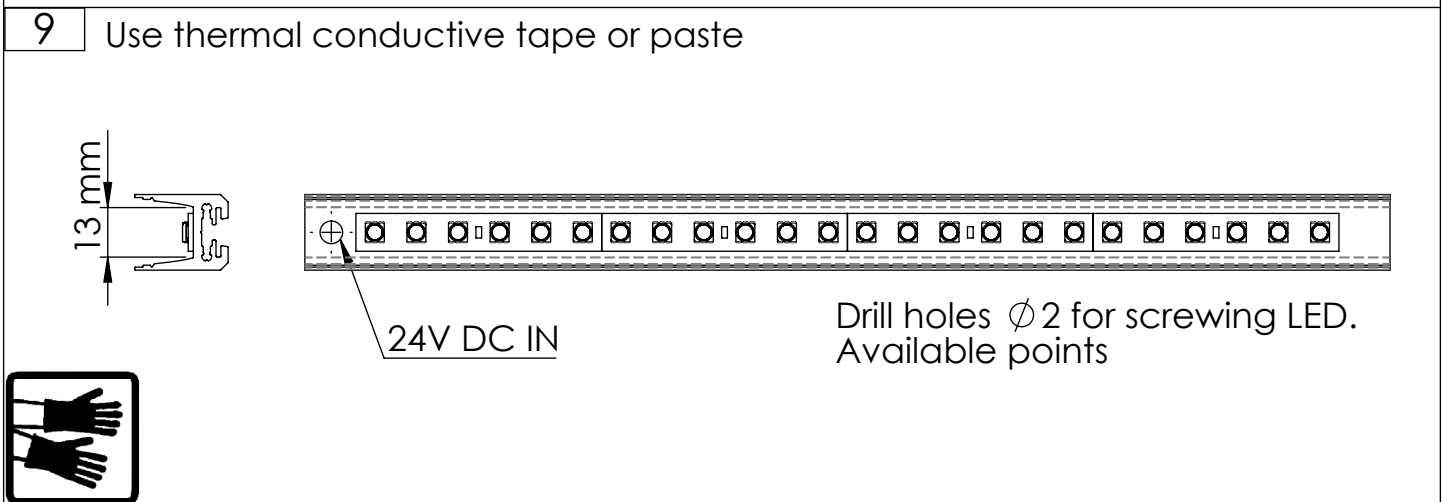
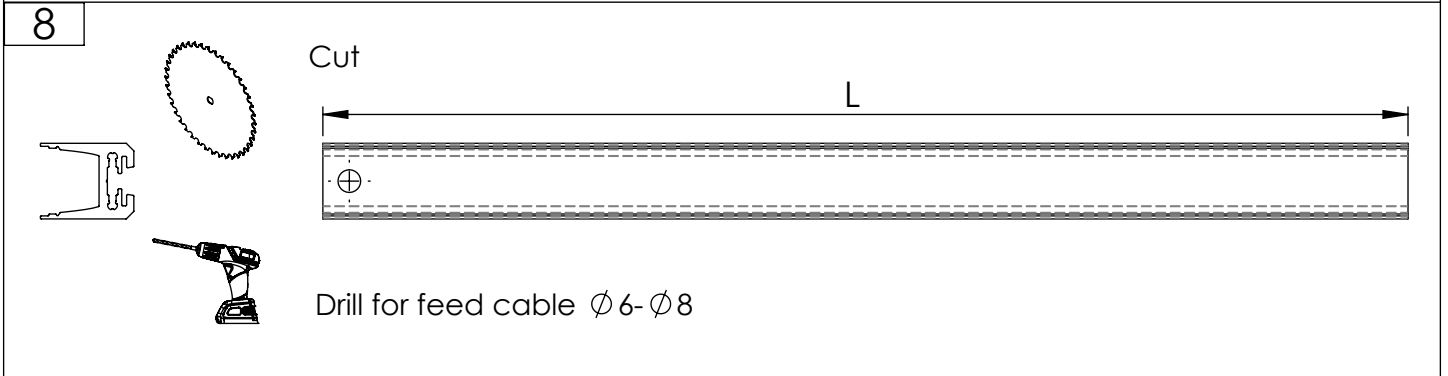
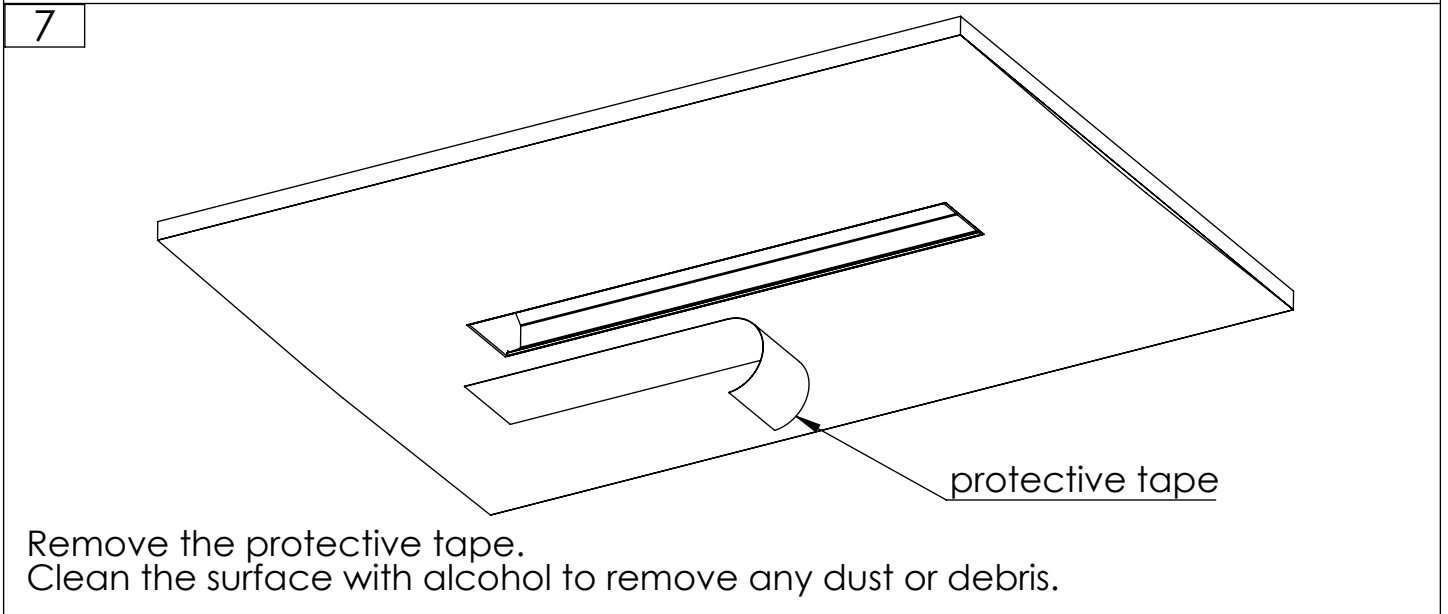
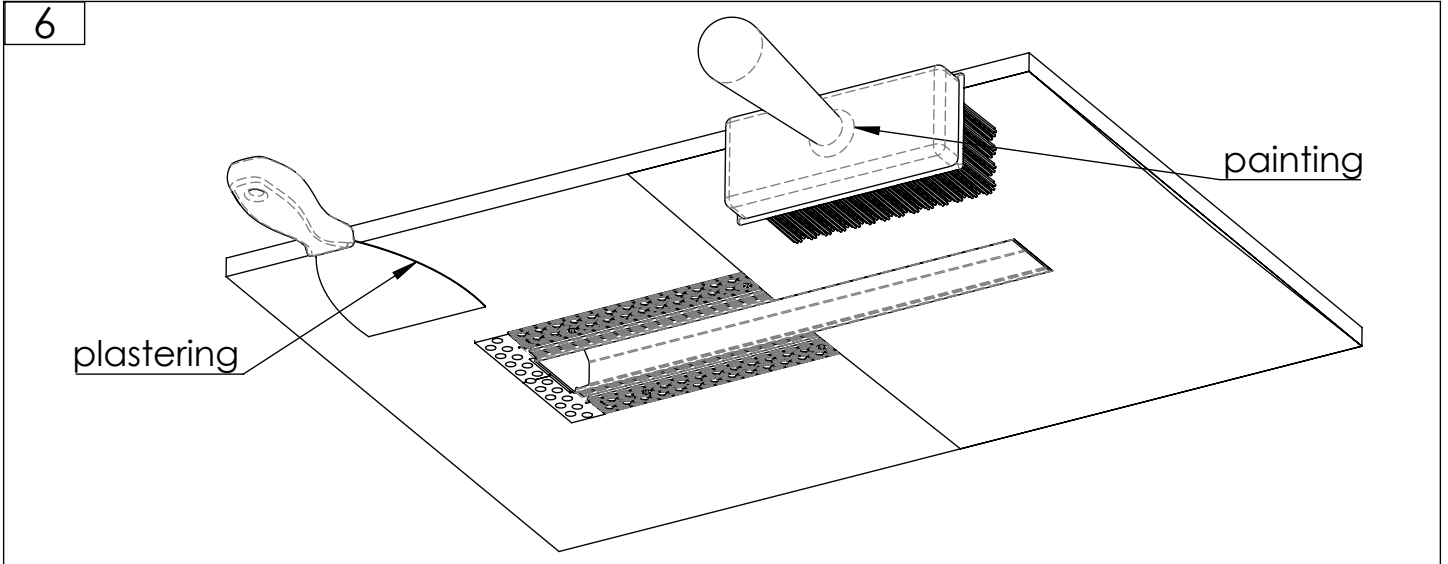


4 Cut out

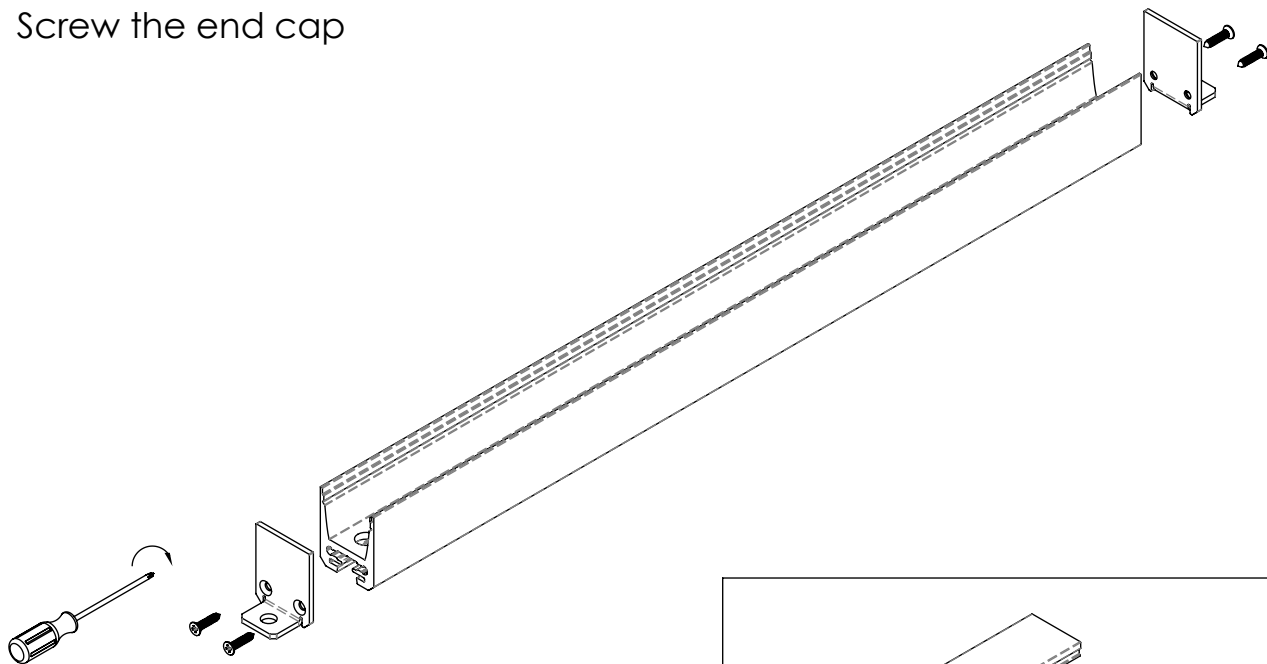


5 Screw the profile with plaster board using dedicated openings in the profile and end cap

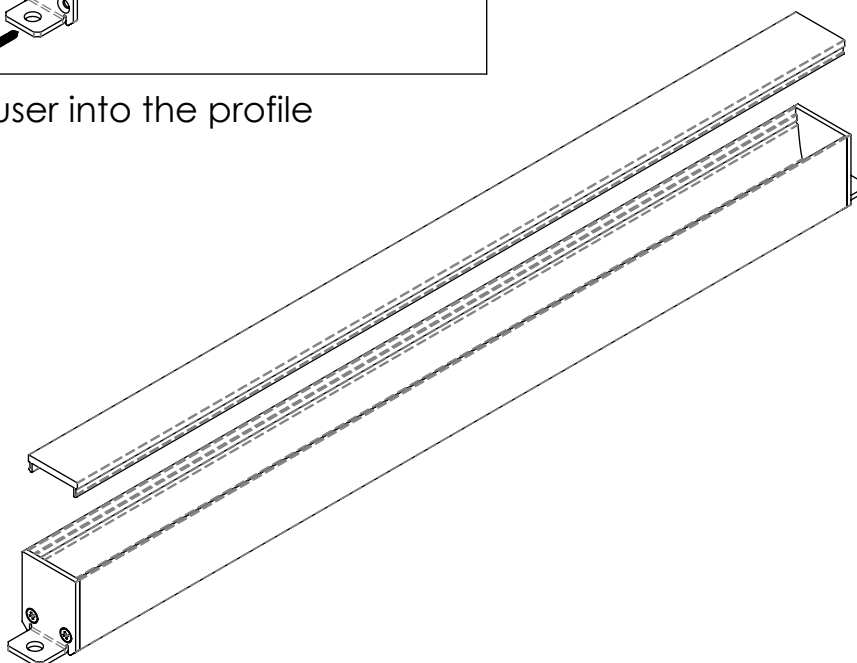




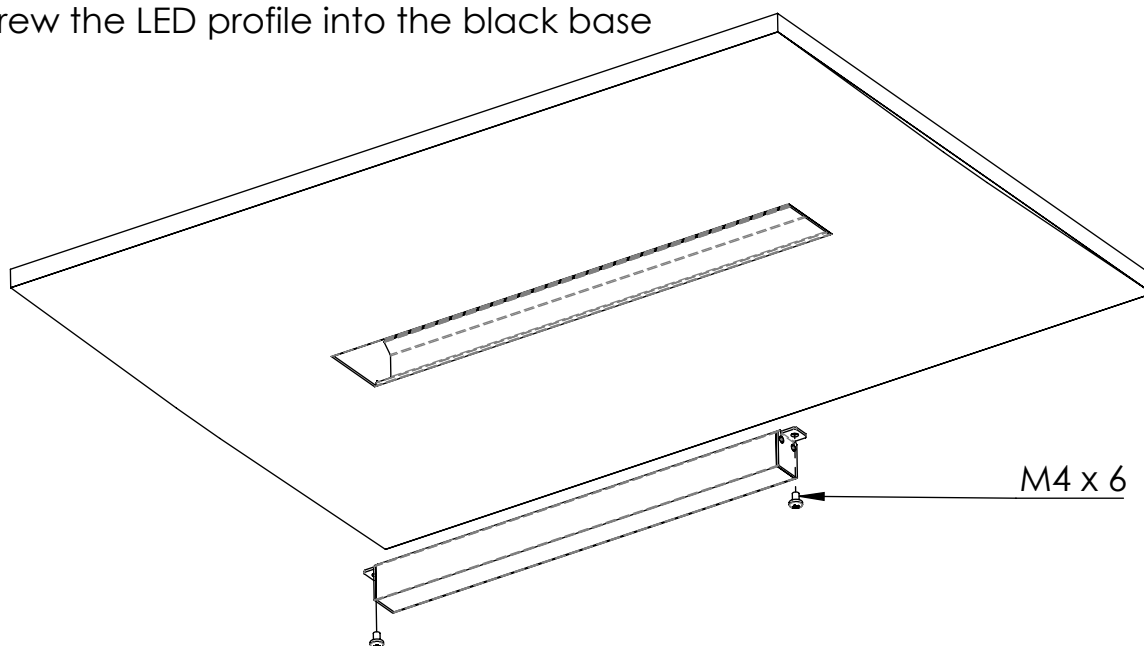
10 Screw the end cap



11 Click the diffuser into the profile



12 Screw the LED profile into the black base



Connect power cable