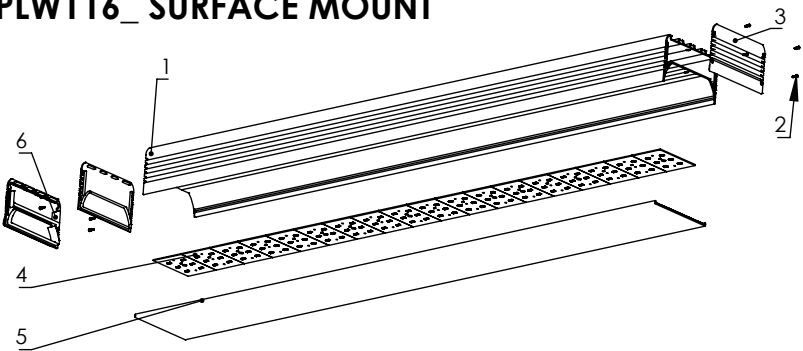
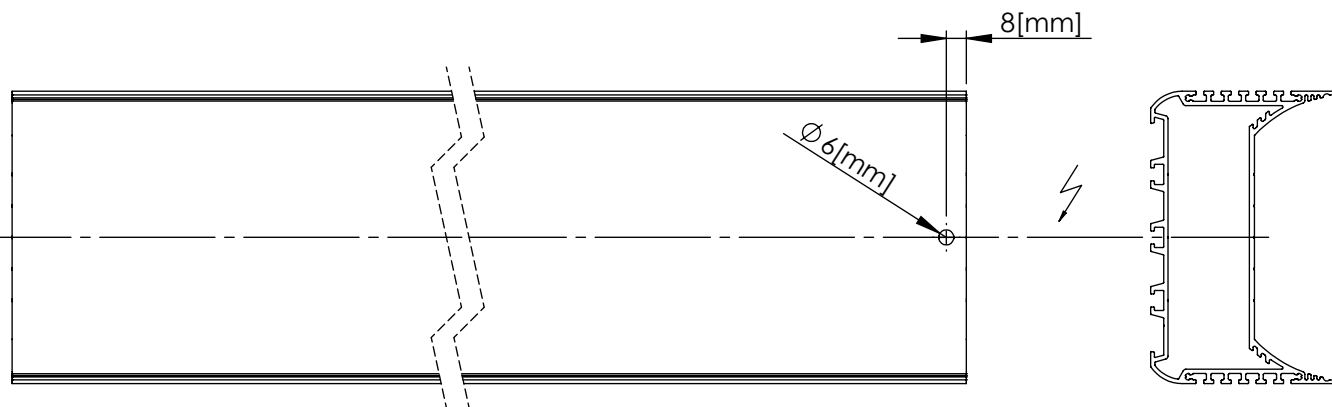


PLW116_ SURFACE MOUNT

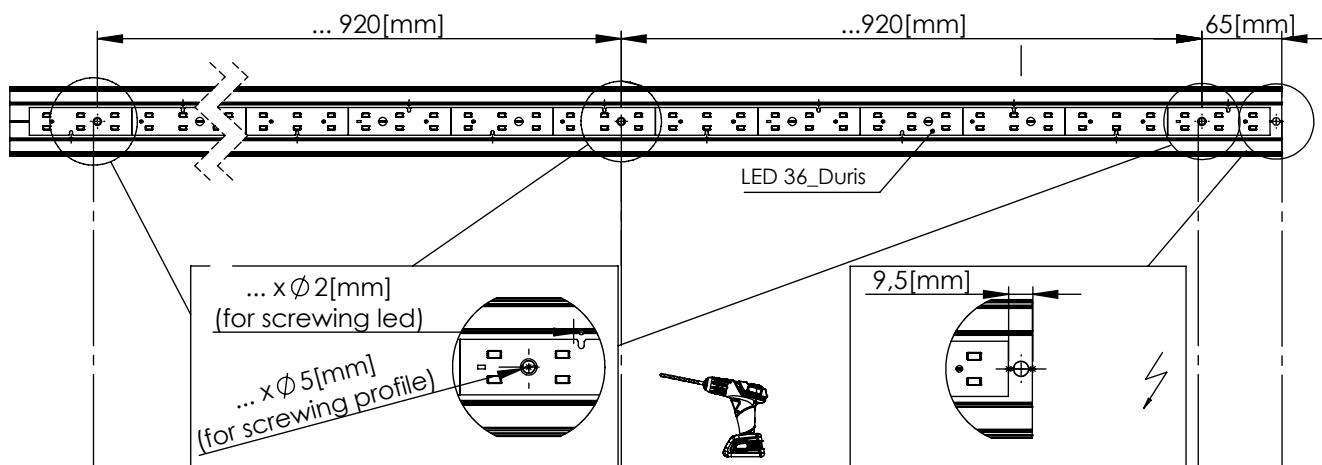


Nr	Code	Comments	Quantity
1	AL-PLW116	1, 2[m]	1
2	EC-PLW116		2
3	DIN 7982 ST2.2x13		2 per EC_PLW80N
4	78x325 PCB with Osram Duris E5 LEDs	LED	3 per [m]
5	AB-PLW116-M/K	1, 2 or 3[m]	1
6	LC-PLW116	profile >3[m]	1 per join

1



2



3

