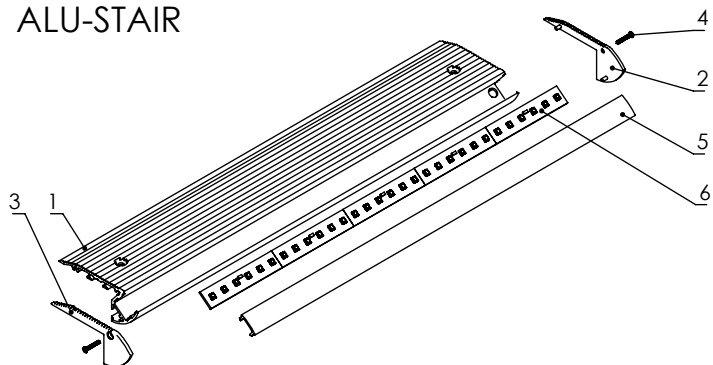
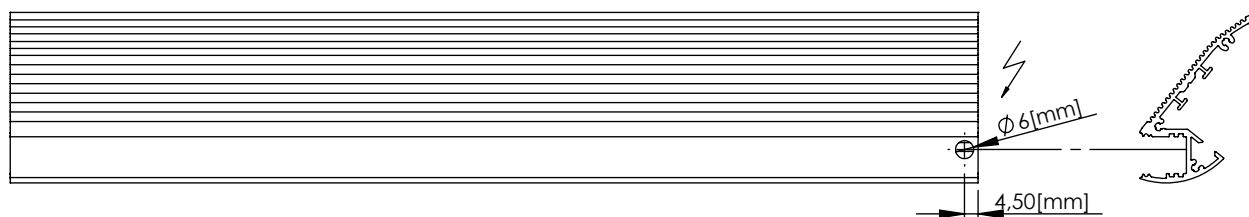


ALU-STAIR

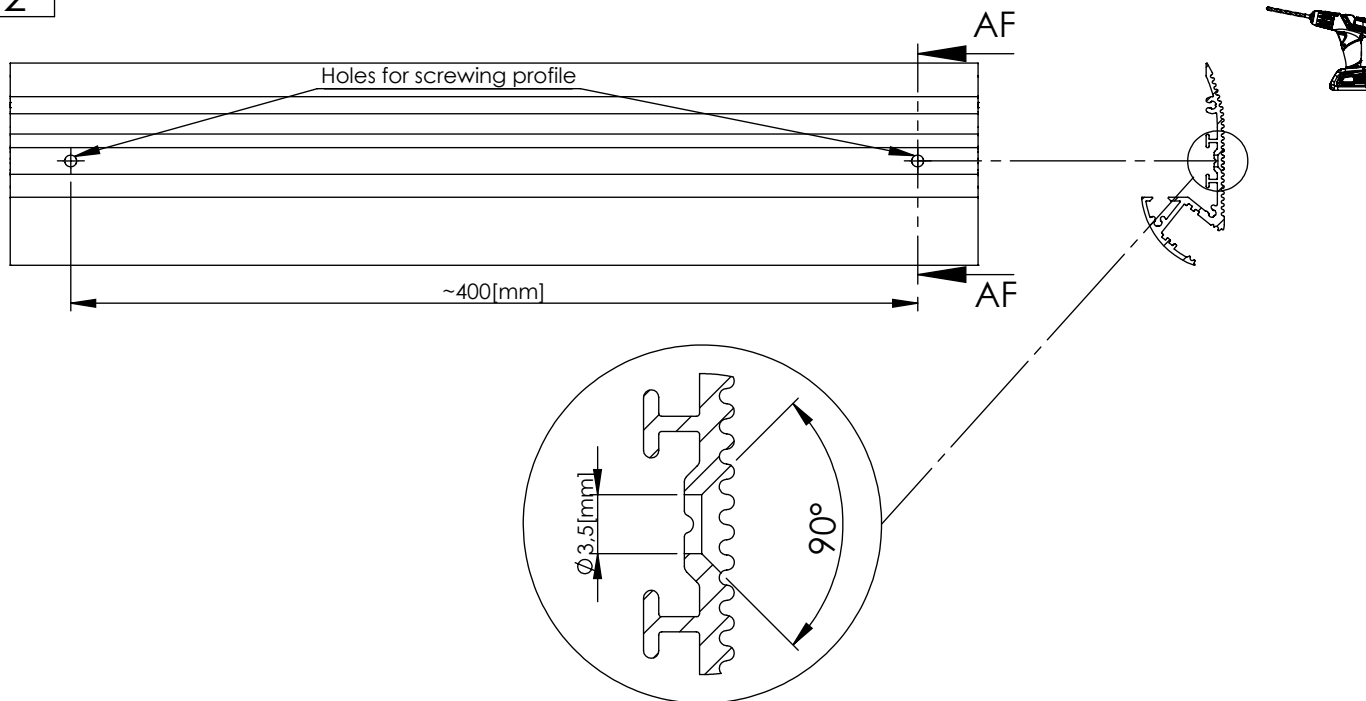


Nr	Code	Comments	Quantity
1	AL-ST	1 or 2[m]	1
2	EC-ST-R	right end cap	1 per 1 luminaire
3	EC-ST-L	left end cap	1 per 1 luminaire
4	DIN 7982 ST2.2x13		1 per EC
5	AB-SL-K/M/50M	1, 2 or 3[m]	1
6	12x300 PCB with 3528 LEDs	1	3 per [m]

1



2



3

Use thermally conductive tape
Connect power cable

