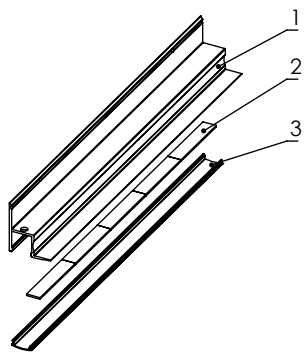
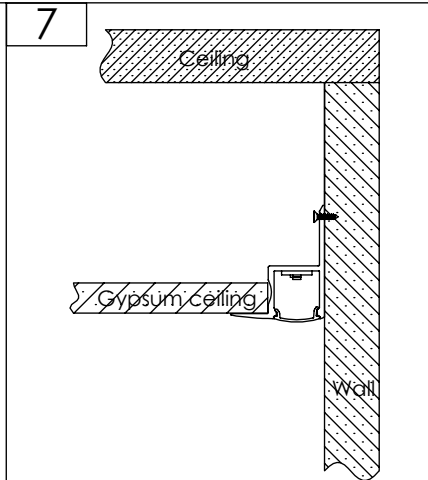
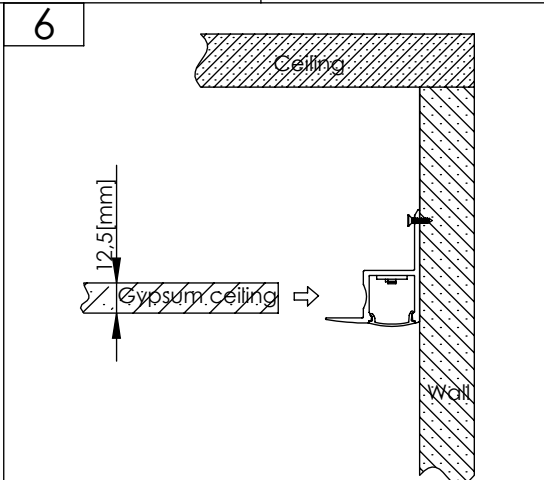
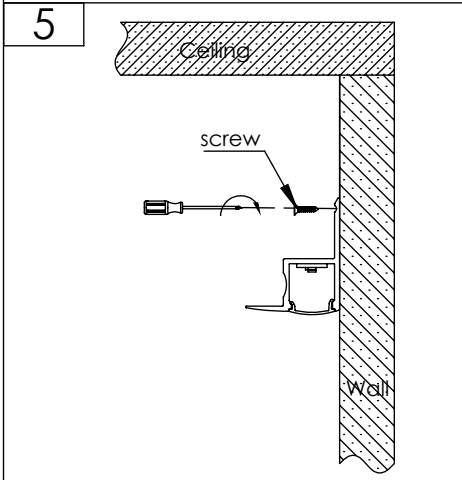
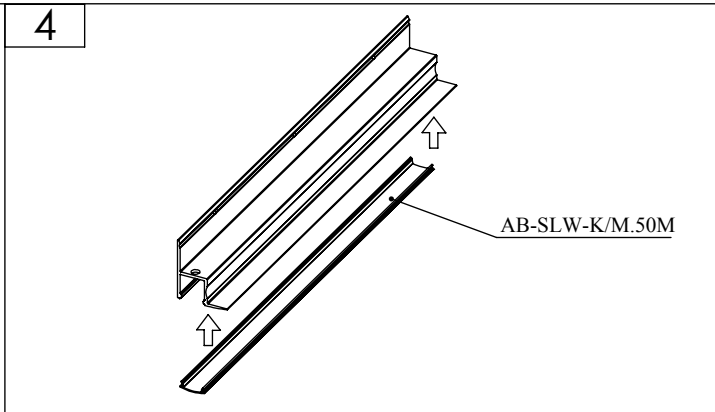
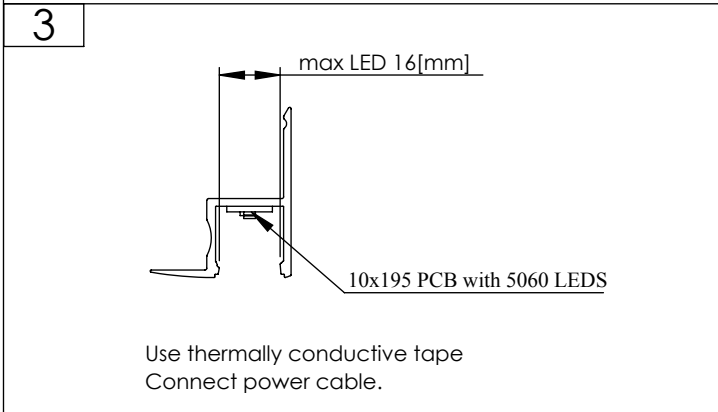
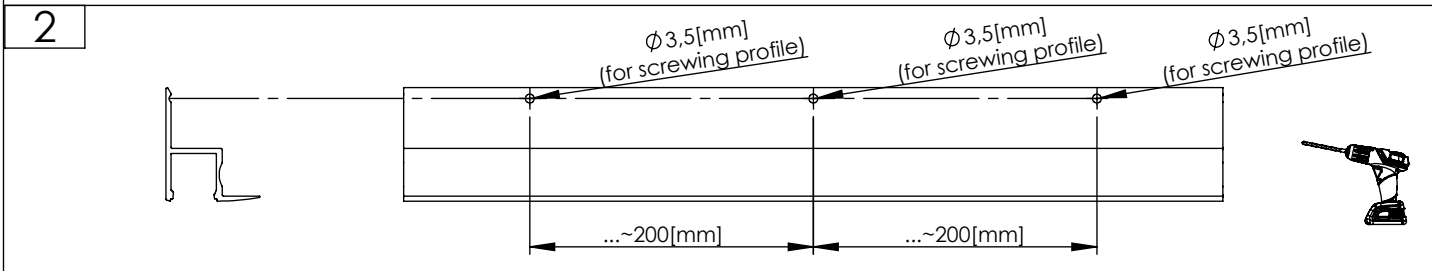
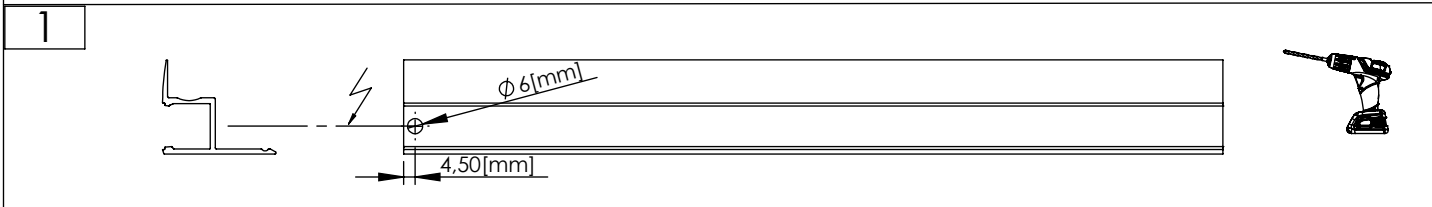


### ALU-CEILING



Nr	Code	Comments	Quantity
1	AL-CE	1 or 2[m]	1
2	AB-SLW-K/M.50M	1 or 2 or 3[m]	1
3	10x195 PCB with 5060 LEDES	1 strips of LED	



### Instalation option

